

WAYMAR

companies

FULL LINE CATALOG
2010 - 2011



We provide professional, coordinated solutions for the complex task of furnishing beautiful spaces.

www.waymar.com
www.jhcarr.com

 waymar
a WAYMAR company

 j.h. carr & sons
a WAYMAR company

Table of Contents

Numeric Index of Chairs and Barstools	3
Laminate Information	4
Upholstery Information	4
COM Information	4
Wood Stain Selections	4
PermaGuard Color Selections	4
Metal Paint Color Selections	4
Soft Seating Collection	5
Occasional Table Collection	5
Liberty Collection	6
Schoolhouse Collection	6
Napa Collection	6
Federal Collection	7
Metropolitan Collection	7
Venice Collection	8
Museum Collection	8
Siena Collection	8
Tuscan Collection	9
Messina Collection	9
Pub Wood Collection	10
Pub Metal Collection	10
Bistro Collection	11
Rondeau Collection	11
Metal Schoolhouse Collection	11
Park Avenue Collection	12-13
Park Avenue Grande Collection	12
Uptown Collection	14
Classic Collection	14
Stack Chairs	14
Diner Collection	15
Classic II Collection	15
Parlor Collection	16
1395/1695 Upholstered Barstools	16
Chair Seats	17
Chair Seat Supports	17
Patio Collection	18-19
Solid Wood Table Tops	20
Wood Edge Table Tops	21
Wood Perimeter Table Tops	21
Metal Perimeter Table Tops	22
Vinyl Perimeter Table Tops	22
Self Edge Table Tops	22
PermaGuard Table Tops	22
Padded Table Tops	22

Table Bases	23-24
Checklist for Table Tops	25
Table Supports	25
St. Andrews/Rainier Booth Seating	26
Creighton Booth Seating	27
Cornell Booth Seating	27
Oxford Booth Seating	27
Dartmouth Booth Seating	27
Chevy Booth Seating	27
Impala Booth Seating	27
Harvard Booth Seating	28
Columbia Booth Seating	28
Caldera Booth Seating	28
McKinley Booth Seating	28
Yale Booth Seating	29
Princeton Booth Seating	29
Cambridge Booth Seating	29
Amherst Booth Seating	29
Berkeley Booth Seating	29
Baylor Booth Seating	29
Georgetown Booth Seating	30
Rose Booth Seating	30
Junction Booth Seating	30
McAllister Booth Seating	30
Eldorado Booth Seating	31
Applegate Booth Seating	31
Ponderosa Booth Seating	31
Upholstered Corner Booths	32
Woodcrest Booth Seating	33
Camden Booth Seating	33
Southcross Booth Seating	34
Manhattan Booth Seating	34
Glacier Booth Seating	34
Carter Booth Seating	34
Briarwood Booth Seating	35-36
Briarwood Corner Booths	36
Contour Slat Booth Seating	37
Contour Mold Booth Seating	37
Planter and Filler Modules	38
Recommended Booth Openings	38-39
Adjustable Islander Supports	40-42
Cluster Seating	43
Trash, Service & Condiment Modules	44-45
Freight Options and CAD Information	46
Warranty Information	47

Numeric Index of Chairs & Barstools

Chairs

PART #	COLLECTION	PG	PART #	COLLECTION	PG
C-006	Siena	8	C-316	Park Avenue	12-13
C-15	Schoolhouse	6	C-318	Uptown	14
C-28	Liberty	6	C-319	Park Avenue	12-13
C-30	Liberty	6	C-320	Classic II	15
C-32	Metropolitan	7	C-321	Classic II	15
C-43	Liberty	6	C-328	Classic	14
C-57	Metropolitan	7	C-371	Bistro	11
C-63	Venice	8	C-390	Metal Schoolhouse	11
C-75	Classic	14	C-415	Museum	8
C-094	Napa	6	C-605	Classic	14
C-095	Napa	6	C-703	Siena	8
C-103	Diner	15	C-721	Messina	9
C-105	Patio	18	C-731	Messina	9
C-156	Stack Chairs	14	C-741	Messina	9
C-200	Museum	8	C-751	Messina	9
C-201	Museum	8	C-802	Rondeau	11
C-210	Parlor	16	C-803	Rondeau	11
C-220	Parlor	16	C-804	Rondeau	11
C-239	Siena	8	C-805	Rondeau	11
C-250	Parlor	16	C-810	Patio	18
C-251	Parlor	16	C-816	Patio	18
C-306	Park Avenue	12-13	C-817	Patio	18
C-307	Park Avenue	12-13	C-820	Tuscan	9
C-309	Park Avenue	12-13	C-821	Tuscan	9
C-310	Park Avenue	12-13	C-822	Tuscan	9
C-311	Park Avenue	12-13	C-827	Patio	18
C-312	Park Avenue	12-13	C-837	Patio	18
C-313	Park Avenue	12-13	C-961	Venice	8
C-314	Federal	7	C-3154	Park Ave Grande	12
C-315	Park Avenue	12-13	C-3164	Park Ave Grande	12

Barstools

PART #	COLLECTION	PG	PART #	COLLECTION	PG
B-006	Siena	8	B-1136	Pub Metal	10
B-15	Schoolhouse	6	B-1210	Parlor	16
B-28	Liberty	6	B-1220	Parlor	16
B-30	Liberty	6	B-1250	Parlor	16
B-32	Metropolitan	7	B-1251	Parlor	16
B-43	Liberty	6	B-1306	Park Avenue	12-13
B-57	Metropolitan	7	B-1307	Park Avenue	12-13
B-63	Venice	8	B-1309	Park Avenue	12-13
B-75	Classic	14	B-1310	Park Avenue	12-13
B-094	Napa	6	B-1311	Park Avenue	12-13
B-095	Napa	6	B-1312	Park Avenue	12-13
B-96	Pub Wood	10	B-1313	Park Avenue	12-13
B-125	Pub Wood	10	B-1315	Park Avenue	12-13
B-134	Pub Wood	10	B-1316	Park Avenue	12-13
B-200	Museum	8	B-1318	Uptown	14
B-201	Museum	8	B-1319	Park Avenue	12-13
B-239	Siena	8	B-1320	Classic II	15
B-314	Federal	7	B-1321	Classic II	15
B-407	Federal	7	B-1328	Classic	14
B-408	Federal	7	B-1330	Pub Metal	10
B-415	Museum	8	B-1371	Bistro	11
B-426	Pub Wood	10	B-1390	Metal Schoolhouse	11
B-721	Messina	9	B-1395	Uph. Swivel	16
B-731	Messina	9	B-1429	Pub Metal	10
B-741	Messina	9	B-1605	Classic	14
B-751	Messina	9	B-1695	Uph. Swivel	16
B-820	Tuscan	9	B-1802	Rondeau	11
B-821	Tuscan	9	B-1803	Rondeau	11
B-822	Tuscan	9	B-1804	Rondeau	11
B-847	Patio	18	B-1805	Rondeau	11
B-961	Venice	8	B-1809	Patio	18
B-1110	Pub Metal	10	B-1816	Patio	18
B-1112	Pub Metal	10	B-1827	Patio	18
B-1115	Pub Metal	10	B-1837	Patio	18
B-1130	Diner	15	B-4032	Diner	15

Soft Seating

PART #	COLLECTION	PG	PART #	COLLECTION	PG
SS-450	Soft Seating	5	SS-1103	Soft Seating	5
SS-455	Soft Seating	5	SS-1104	Soft Seating	5
SS-460	Soft Seating	5	SS-1105	Soft Seating	5
SS-485	Soft Seating	5	SS-1106	Soft Seating	5
SS-1098	Soft Seating	5	C-50	Soft Seating	5
SS-1099	Soft Seating	5	C-51	Soft Seating	5
SS-1101	Soft Seating	5	C-905	Soft Seating	5
SS-1102	Soft Seating	5			

laminata selections

For laminata selections on table tops, booth seating and trash units, please refer to Wilsonart and Formica brochures located in Waymar's catalog. Selections may also be viewed at www.waymar.com or www.jhcarr.com. Or visit www.wilsonart.com or www.formica.com or to view specifications and order samples.

Laminates are priced in different categories depending on color, pattern and texture. Please call the factory for pricing guidelines.

upholstery and vinyl selections

For current upholstery and vinyl selections on chairs, barstools and booth seating, please refer to

www.waymar.com or www.jhcarr.com

Or visit the websites of these fine suppliers to view and order samples:

C.F. Stinson (www.cfstinson.com)

Momentum Textiles (www.momtex.com)

Mayer Fabrics (www.mayerfabrics.com)

Arc Com (www.arc-com.com)

Naugahyde (www.naugahyde.com)

Spradling Vinyl (www.spradlingvinyl.com)

Nassimi (www.nassimi.com)

Omnova (www.omnova.com)

Customer's Own Material (COM)

If customer is providing own material (COM), please photocopy this tag and attach it to all upholstery.

CUSTOMER NAME: _____

CUSTOMER P.O. #: _____

YARDAGE SENT: _____

UPHOLSTERY IDENTIFICATION: (name, color, number, etc.) _____

wood stain selections

PRE-PRICED IN-HOUSE STAINS . . . view current stain colors at www.waymar.com or www.jhcarr.com.

Standard colors include natural, honey, light brown, medium brown, dark brown, walnut, cocoa brown, medium red, dark red, dark mahogany, pearwood, antique white, black, opaque black.

WOOD SPECIES:

Beech is Waymar Companies default wood. Unless specified otherwise, beech will be used in the manufacturing of all chairs, table tops, booth seating and cabinetry trim.

WOOD CHARACTERISTICS:

Within each wood species, every tree is an individual. Their lumbers harmonize, but will vary in color, grain and natural details called character marks. This can cause variations in depth and tone when stained, but are the markings separating real wood products from imitations. Call factory for wood stain samples.

CUSTOM STAIN PROGRAM:

Waymar can match stains not represented on our Wood Stain Selection brochure. We will create a custom stain to fulfill your request, and submit a stained wood sample for your approval or adjustment. . . add \$602 per order

PermaGuard color selections

STANDARD PERMAGUARD URETHANE COLORS . . . shown in Waymar's PermaGuard table top brochure.

bordeaux, navy, burgundy, blackberry, fog, blue, red, green, pebble, deep green, brown, teal, black, victorian teal, canyon, purple, beige, aloe, brick, forsythia. Call factory for PermaGuard color samples.

metal paint color selections

STANDARD METAL PAINT COLORS

almond gloss, black gloss, white gloss, black sandtex, bluefish sandtex, green sandtex, pewter, hb bronze, new age rust, sparkle silver, anodized nickel, burnt nickel, silver bullet, gold vein, silver vein, copper vein.

Call factory for metal paint samples.

ULTRA CLEAR METAL PAINT COLORS

blue, green, copper, mahogany (providing a translucent color . . . welds, brazing points and steel color variations will be visible through ultra clear colors).

LOUNGE AND PUBLIC FURNITURE COLLECTION



Select lounge chairs are also available in loveseat and sofa lengths.
 Select styles are available with a beverage inset (as shown on SS-1104) or a writing tablet.

LOUNGE AND PUBLIC FURNITURE PRICING

Model	Seat Width	Seat Height	Overall Height	Weight	Grade 2 COM	Grade 3	Grade 4	Grade 5
SS-450	22	18	31	38	\$624	\$732	\$840	\$948
SS-455	22	18	31	44	\$879	\$1,121	\$1,363	\$1,605
SS-485	Tapered	18	31	35	\$624	\$732	\$840	\$948
SS-460	30	18	18	30	\$609	\$692	\$775	\$858
SS-1098	31	18	31	60	\$1,171	\$1,333	\$1,495	\$1,657
SS-1098LS	55	18	31	80	\$1,538	\$1,736	\$1,934	\$2,132
SS-1098S	79	18	31	110	\$1,688	\$1,951	\$2,214	\$2,477
SS-1099	31	18	30	60	\$1,149	\$1,311	\$1,473	\$1,635
SS-1099LS	55	18	30	80	\$1,507	\$1,705	\$1,903	\$2,101
SS-1099S	79	18	31	110	\$1,678	\$1,941	\$2,204	\$2,467
SS-1101	40	18	33	75	\$1,072	\$1,234	\$1,396	\$1,558
SS-1101LS	64	18	33	95	\$1,408	\$1,606	\$1,804	\$2,002
SS-1101S	88	18	33	115	\$1,566	\$1,829	\$2,092	\$2,355
SS-1102	40	18	33	75	\$1,116	\$1,278	\$1,440	\$1,602
SS-1102LS	56	18	33	80	\$1,465	\$1,663	\$1,861	\$2,059
SS-1102S	80	18	33	110	\$1,641	\$1,904	\$2,167	\$2,430
SS-1103	32	18	32	60	\$1,192	\$1,354	\$1,516	\$1,678
SS-1103LS	56	18	32	80	\$1,565	\$1,763	\$1,961	\$2,159
SS-1103S	80	18	32	110	\$1,753	\$2,016	\$2,279	\$2,542
SS-1104	31	18	33	65	\$1,207	\$1,369	\$1,531	\$1,693
SS-1105*	27	18	33	45	\$705	\$867	\$1,029	\$1,191
SS-1106*	26	18	31	43	\$705	\$867	\$1,029	\$1,191
C-50*	22	18	36	40	\$605	\$685	\$765	\$845
C-51*	22	18	36	40	\$665	\$745	\$825	\$905
C-905*	26	18	31	37	\$563	\$643	\$723	\$803
470-24D	24" Dia.	N/A	18.5	35	\$612	\$681	\$750	\$819
470-30D	30" Dia.	N/A	18.5	44	\$661	\$744	\$827	\$910
470-2048	20" x 48"	N/A	18.5	55	\$725	\$833	\$941	\$1,049



SS-1105*



SS-1106*



C-50*



C-51*



C-905*

* Available with no casters, 2 casters (front legs) or 4 casters.

For Lounge and Public Furniture Specifications and Options, see page 7.



LIBERTY				Weight		Vinyl/Upholstery Grade				
Model	Seat Width	Seat Height	Overall Height	Uph Seat	Wood Seat	Grade 2 COM	Grade 3	Grade 4	Grade 5	Wood Seat
C-28	17.5	18	33.5	20	22	\$270	\$288	\$306	\$324	\$293
B-28	17.5	30	45	24	26	\$340	\$358	\$376	\$394	\$363
C-30	17.5	18	33.5	20	22	\$270	\$288	\$306	\$324	\$293
B-30	17.5	30	45	24	26	\$340	\$358	\$376	\$394	\$363
C-43	17.5	18	34.5	20	22	\$340	\$358	\$376	\$394	\$363
B-43	17.5	30	43.5	27	29	\$412	\$430	\$448	\$466	\$435



SCHOOLHOUSE				Weight		Vinyl/Upholstery Grade				
Model	Seat Width	Seat Height	Overall Height	Uph Seat	Wood Seat	Grade 2 COM	Grade 3	Grade 4	Grade 5	Wood Seat
C-15	18	18	35	23	21	\$379	\$397	\$415	\$433	\$329
B-15	18	30	46	29	27	\$449	\$467	\$485	\$503	\$399
C-15-H	18	18	35	23	21	\$409	\$427	\$445	\$463	\$359
B-15-H	18	30	46	29	27	\$479	\$497	\$515	\$533	\$429
C-15-D	18	18	35	23	21	\$384	\$402	\$420	\$438	\$334
B-15-D	18	30	46	29	27	\$454	\$472	\$490	\$508	\$404
C-15-HD	18	18	35	23	21	\$414	\$432	\$450	\$468	\$364
B-15-HD	18	30	46	29	27	\$484	\$502	\$520	\$538	\$434



NAPA				Weight		Vinyl/Upholstery Grade				
Model	Seat Width	Seat Height	Overall Height	Uph Seat	Wood Seat	Grade 2 COM	Grade 3	Grade 4	Grade 5	Wood Seat
C-094	19	18	34.5	19	19	\$325	\$343	\$361	\$379	\$348
B-094	18	30	43	20	20	\$395	\$413	\$431	\$449	\$418
C-094A	19	18	34.5	19	19	\$315	\$333	\$351	\$369	\$338
B-094A/2	18	30	43	20	20	\$385	\$403	\$421	\$439	\$408
C-094D	19	18	34.5	19	19	\$325	\$343	\$361	\$379	\$348
B-094D/2	18	30	43	20	20	\$395	\$413	\$431	\$449	\$418
C-095	19	18	34.5	19	19	\$325	\$343	\$361	\$379	\$348
B-095/2	18	30	43	20	20	\$395	\$413	\$431	\$449	\$418



C-314 B-314N B-314S C-314A B-408N B-408S B-407 B-426-US B-426-WS

FEDERAL

Model	Seat Width	Seat Height	Overall Height	Weight		Vinyl/Upholstery Grade				Wood Seat
				Uph Seat	Wood Seat	Grade 2 COM	Grade 3	Grade 4	Grade 5	
C-314	18	18	32	25	23	\$441	\$459	\$477	\$495	\$391
B-314N	18	30	45	31	29	\$494	\$512	\$530	\$548	\$444
B-314S	18	30	45	36	34	\$519	\$537	\$555	\$573	\$469
C-314A	23	18	31	29	27	\$550	\$568	\$586	\$604	\$500
B-408N	23	30	44	41	39	\$615	\$633	\$651	\$669	\$565
B-408S	23	30	44	46	44	\$640	\$658	\$676	\$694	\$590
B-407	16	30	30	25	25	N/A	N/A	N/A	N/A	\$308
B-426	15	30	30	25	25	\$296	\$314	\$332	\$350	\$246

B-407 and B-426 barstools are also shown in the Pub Wood Collection on page 10.

Option of black metal or wood footring on B-426.

B-314S, B-407, B-426 and B-408S barstools come standard with a swivel.

Decorative Tacks are available on 314 and 408 series with upholstered seats . . . add \$50 per chair or barstool.

On B-426 model, please specify black metal (shown at left above) or wood (shown at right) footring.



C-32 B-32 C-32-UBS B-32-UBS C-32-UB B-32-UB C-57 B-57

METROPOLITAN

Model	Seat Width	Seat Height	Overall Height	Weight		Vinyl/Upholstery Grade				Wood Seat
				Uph Seat	Wood Seat	Grade 2 COM	Grade 3	Grade 4	Grade 5	
C-32	18	19	36	20	22	\$280	\$298	\$316	\$344	\$303
B-32	18	31	44	24	26	\$350	\$368	\$386	\$404	\$373
C-32-UBS	18	19	36	20	22	\$391	\$421	\$451	\$481	\$414
B-32-UBS	18	31	44	24	26	\$461	\$491	\$521	\$551	\$484
C-32-UB	18	19	36	20	22	\$422	\$464	\$506	\$548	\$445
B-32-UB	18	31	44	24	26	\$492	\$534	\$576	\$618	\$515
C-57	16.5	19	32	20	22	\$290	\$308	\$326	\$344	\$313
B-57	16.5	31	44	24	26	\$360	\$378	\$396	\$414	\$383

WOOD CHAIR SPECIFICATIONS AND OPTIONS

- Solid Beech Frames: 3-year warranty against defects in material and workmanship.
- Wood Finishes: Standard stain colors are listed on page 4.
- Custom Stain: Available upon request . . . add \$602 per order.
- Web Seating: Available on Liberty, Napa, Metropolitan collections . . . add \$22 per chair or barstool.
- CAL 133 Compliance: Call factory for information . . . add \$19 per chair or barstool.

LOUNGE AND PUBLIC FURNITURE SPECIFICATIONS AND OPTIONS

- Lounge and Public Furniture is shown on page 5.
- Plywood and selected hardwood frame construction.
- Continuous spring seating support.
- Solid beech leg construction.
- Occasional tables include vinyl perimeter laminated table top.
- Alternate table top styles are available on 470 tables. Call factory for information.
- Bodies of 470 tables are wrapped in customer's choice of fabric or vinyl upholstery.
- 470 tables include vinyl kickbase.



VENICE

Model	Seat Width	Seat Height	Overall Height	Weight		Vinyl/Upholstery Grade				Wood Seat
				Uph Seat	Wood Seat	Grade 2 COM	Grade 3	Grade 4	Grade 5	
C-63	18	20	33.5	24	26	\$360	\$378	\$396	\$414	\$383
C-63/1	18	20	33.5	24	26	\$460	\$478	\$496	\$514	\$483
B-63	18	30	44	24	26	\$430	\$448	\$466	\$484	\$453
C-961	19	19	33	20	20	\$379	\$397	\$415	\$433	\$402
C-961/1	22	19	33	22	22	\$479	\$497	\$515	\$533	\$502
B-961	18	33	45	23	23	\$449	\$467	\$485	\$503	\$472



MUSEUM

Model	Seat Width	Seat Height	Overall Height	Weight		Vinyl/Upholstery Grade				Wood Seat
				Uph Seat	Wood Seat	Grade 2 COM	Grade 3	Grade 4	Grade 5	
C-200	18	18	35	16	16	\$315	\$333	\$351	\$369	\$338
B-200/2	18	30	44	18	18	\$385	\$403	\$421	\$439	\$408
C-201	18	18	35	16	16	\$315	\$333	\$351	\$369	\$338
B-201/2	18	30	44	18	18	\$385	\$403	\$421	\$439	\$408
C-415	19	18	35	18	18	\$315	\$333	\$351	\$369	\$338
B-415	18	30	44	23	23	\$385	\$403	\$421	\$439	\$408
C-415-UB-US	19	18	35	19	19	\$385	\$427	\$469	\$511	N/A
C-415-UB-WS	19	18	35	19	19	\$408	\$438	\$468	\$498	---
B-415-UB-US	18	30	44	24	24	\$455	\$497	\$539	\$581	N/A
B-415-UB-WS	18	30	44	24	24	\$478	\$508	\$538	\$568	---



SIENA

Model	Seat Width	Seat Height	Overall Height	Weight		Vinyl/Upholstery Grade				Wood Seat
				Uph Seat	Wood Seat	Grade 2 COM	Grade 3	Grade 4	Grade 5	
C-006	19	19	36	20	20	\$342	\$360	\$378	\$396	\$365
B-006	19	30	44	24	24	\$412	\$430	\$448	\$466	\$435
C-239	19	20	33	15	17	\$342	\$360	\$378	\$396	\$365
B-239	19	30	44	18	20	\$412	\$430	\$448	\$466	\$435
C-703L	21	19	43	27	27	\$530	\$548	\$566	\$584	\$466*
C-435	19	19	35	22	24	\$315	\$333	\$351	\$369	\$338
B-435	19	30	44	24	26	\$385	\$403	\$421	\$439	\$408



TUSCAN

Model	Seat Width	Seat Height	Overall Height	Weight		Vinyl/Upholstery Grade				
				Uph Seat	Wood Seat	Grade 2 COM	Grade 3	Grade 4	Grade 5	Wood Seat
C-820V	18	18	35	20	N/A	\$450	\$480	\$510	\$540	N/A
C-820V/1	20	18	35	22	N/A	\$550	\$580	\$610	\$640	N/A
B-820V	18	30	40	24	N/A	\$520	\$550	\$580	\$610	N/A
C-821H	18	18	35	20	N/A	\$450	\$480	\$510	\$540	N/A
C-821H/1	20	18	35	22	N/A	\$550	\$580	\$610	\$640	N/A
B-821H	18	30	40	24	N/A	\$520	\$550	\$580	\$610	N/A
C-822U	18	18	35	20	N/A	\$499	\$541	\$583	\$625	N/A
C-822U/1	20	18	35	22	N/A	\$599	\$641	\$683	\$725	N/A
B-822U	18	30	40	24	N/A	\$569	\$611	\$653	\$695	N/A

Arm height of Tuscan collection is 26.5".



MESSINA

Model	Seat Width	Seat Height	Overall Height	Weight		Vinyl/Upholstery Grade				
				Uph Seat	Wood Seat	Grade 2 COM	Grade 3	Grade 4	Grade 5	Wood Seat
C-721	18	19	35	18	N/A	\$355	\$373	\$391	\$409	\$378
C-721/1	18	19	35	22	N/A	\$455	\$473	\$491	\$509	\$478
B-721	18	30	43.5	19	N/A	\$425	\$443	\$461	\$479	\$448
C-731	18	19	35	18	N/A	\$355	\$373	\$391	\$409	\$378
C-731/1	18	19	35	22	N/A	\$455	\$473	\$491	\$509	\$478
B-731	18	30	43.5	19	N/A	\$425	\$443	\$461	\$479	\$448
C-741	18	19	35	18	N/A	\$355	\$373	\$391	\$409	\$378
C-741/1	18	19	35	22	N/A	\$455	\$473	\$491	\$509	\$478
B-741	18	30	43.5	19	N/A	\$425	\$443	\$461	\$479	\$448
C-751	18	19	35	18	N/A	\$404	\$446	\$488	\$530	\$427
C-751/1	18	19	35	22	N/A	\$504	\$546	\$588	\$630	\$527
B-751	18	30	43.5	19	N/A	\$474	\$516	\$558	\$600	\$497

Arm height of Messina collection is 24.5".

WOOD CHAIR SPECIFICATIONS & OPTIONS

- Solid Beech Frames: 3-year warranty against defects in material and workmanship.
- Wood Finishes: Standard stain colors are listed on page 4.
- Custom Stain: Available upon request . . . add \$602 per order.
- Web Seating: Available on Venice, Messina and Museum collections . . . add \$22 per chair or barstool.
- CAL 133 Compliancy: Call factory for information . . . add \$19 per chair or barstool.
(Except C-822U, C-822U/1 and B-822U, C-751, C-751/1 and B-751)



B-96 B-125-US B-125M B-125LM B-134L B-407* B-426SM B-426LM B-426-US* B-426-WS*



B-1110 B-1136 B-1429 B-1112S* B-1115S* B-1330* B-1372 * Denotes a swivel seat as standard.

PUB BARSTOOLS

Model	Seat Width	Seat Height	Overall Height	Weight		Vinyl/Upholstery Grade				Wood Seat
				Uph Seat	Wood Seat	Grade 2 COM	Grade 3	Grade 4	Grade 5	
B-96	15	30	30	18	20	\$278	\$296	\$314	\$332	\$255
B-125	17.5	30	30	22	26	\$302	\$320	\$338	\$356	\$325
B-125M-US	17.5	30	30	24	N/A	\$420	\$444	\$468	\$492	N/A
B-125LM-US	17.5	30	30	26	N/A	\$460	\$484	\$508	\$532	N/A
B-134L	14	30	30	23	N/A	\$245	\$269	\$293	\$317	N/A
B-407	16	30	30	25	25	N/A	N/A	N/A	N/A	\$308
B-426SM	15	30	30	27	N/A	\$400	\$418	\$436	\$454	N/A
B-426LM	15	30	30	27	N/A	\$440	\$464	\$488	\$512	N/A
B-426	15	30	30	25	25	\$296	\$314	\$332	\$350	\$246
B-1110	16	30	30	18	20	\$230	\$248	\$266	\$284	\$253
B-1136	16	30	30	18	20	\$147	\$165	\$183	\$201	\$170
B-1136-PG	16	30	30	N/A	20 (PG)				Permaguard	\$247
B-1429	17	30	30	20	22	\$184	\$202	\$220	\$238	\$216
B-1112S	14	30	30	26	26	\$310	\$328	\$346	\$364	\$333
B-1115S	14	30	30	27	27	\$218	\$236	\$254	\$272	\$241
B-1330	17	30	30	20	N/A	\$240	\$264	\$288	\$312	N/A
B-1372	15	30	30	16	18	\$177	\$195	\$213	\$231	\$200

B-407 / B-426 Barstools also shown in Federal Collection.
 Option of black metal or wood footring on B-426.
 Option of brass or brushed clear footring on B-125 models.
 Brushed clear option only available on B-96 footring.

WOOD CHAIR SPECIFICATIONS & OPTIONS

- SOLID BEECH FRAMES: 3-year warranty against defects in material and workmanship.
- WOOD FINISHES: Standard stain colors are listed on page 4.
- CUSTOM STAIN: Available upon request . . . add \$602 per order.
- CAL 133 COMPLIANCY: Call factory for information . . . add \$19 per chair or barstool.

METAL CHAIR SPECIFICATIONS & OPTIONS

- METAL FRAMES: 5-year warranty against defects in material and workmanship.
- METAL FRAME COLORS: Standard paint colors are listed on page 4.
- ULTRA CLEAR COLORS: blue, green, copper, mahogany . . . add \$14 per chair and \$22 per barstool.
- WOOD SEAT FINISHES: Standard stain colors are listed on page 4.
- CUSTOM STAIN: Available upon request . . . add \$602 per order.
- CAL 133 COMPLIANCY: Call factory for information . . . add \$19 per chair or barstool.



C-371MB B-1371MB C-371MMB B-1371MMB C-371SMB B-1371SMB C-371WB B-1371WB B-1372

BISTRO

Model	Seat Width	Seat Height	Overall Height	Weight		Vinyl/Upholstery Grade				Wood Seat
				Uph Seat	Wood Seat	Grade 2 COM	Grade 3	Grade 4	Grade 5	
C-371MB	17.5	20	35	18	18	\$271	\$289	\$307	\$325	\$294
B-1371MB	17.5	30	44	20	20	\$325	\$343	\$361	\$379	\$348
C-371MMB	17.5	20	35	18	18	\$287	\$305	\$323	\$341	\$310
B-1371MMB	17.5	30	44	20	20	\$345	\$363	\$381	\$399	\$368
C-371SMB	17.5	20	35	18	18	\$287	\$305	\$323	\$341	\$310
B-1371SMB	17.5	30	44	20	20	\$345	\$363	\$381	\$399	\$368
C-371WB	17.5	20	35	18	18	\$187	\$205	\$223	\$241	\$210
B-1371WB	17.5	30	44	20	20	\$222	\$240	\$258	\$276	\$245
B-1372	15	30	30	16	18	\$177	\$195	\$213	\$231	\$200



C-802 B-1802 C-803 B-1803 C-804 B-1804 C-805 B-1805

RONDEAU

Model	Seat Width	Seat Height	Overall Height	Weight		Vinyl/Upholstery Grade				Wood Seat
				Uph Seat	Wood Seat	Grade 2 COM	Grade 3	Grade 4	Grade 5	
C-802	17.5	19	36	19	21	\$248	\$266	\$284	\$302	\$271
B-1802	17.5	31	43	25	27	\$302	\$320	\$338	\$356	\$325
C-803	17.5	19	36	19	21	\$248	\$266	\$284	\$302	\$271
B-1803	17.5	31	43	25	27	\$302	\$320	\$338	\$356	\$325
C-804	16.5	19	36	19	21	\$248	\$266	\$284	\$302	\$271
B-1804	17.5	31	43	25	27	\$302	\$320	\$338	\$356	\$325
C-805	16.5	19	36	19	21	\$248	\$266	\$284	\$302	\$271
B-1805	17.5	31	43	25	27	\$302	\$320	\$338	\$356	\$325



C-390 B-1390

METAL SCHOOLHOUSE

Model	Seat Width	Seat Height	Overall Height	Weight		Vinyl/Upholstery Grade				Wood Seat
				Uph Seat	Wood Seat	Grade 2 COM	Grade 3	Grade 4	Grade 5	
C-390	16	18	35.5	19	21	\$302	\$320	\$338	\$356	\$325
B-1390	16	30	44	23	25	\$371	\$389	\$407	\$425	\$394

PARK AVENUE



315/1315 back designs are available in Palm Tree, Fan and Star motifs in limited color options. Call customer support for information.

Most models shown on this page are available as nesting chairs. Call customer support for information.

PARK AVENUE GRANDE



PARK AVENUE GRANDE

Model	Seat Width	Seat Height	Overall Height	Weight		Vinyl/Upholstery Grade				Wood Seat
				Uph Seat	Wood Seat	Grade 2 COM	Grade 3	Grade 4	Grade 5	
C-3154A	17	18	37	24	23	\$338	\$356	\$374	\$392	\$361
C-3154B	17	18	37	24	23	\$338	\$356	\$374	\$392	\$361
C-3154C	17	18	37	24	23	\$338	\$356	\$374	\$392	\$361
C-3164	17	18	37	24	23	\$267	\$285	\$303	\$321	\$290

PARK AVENUE

Model	Seat Width	Seat Height	Overall Height	Weight		Vinyl/Upholstery Grade				Wood Seat
				Uph Seat	Wood Seat	Grade 2 COM	Grade 3	Grade 4	Grade 5	
C-306	18	18	31	19	21	\$251	\$269	\$287	\$305	\$274
B-1306	18	30	41	25	27	\$318	\$336	\$354	\$372	\$341
C-307	18	18	31	19	21	\$246	\$264	\$282	\$300	\$269
B-1307	18	30	41	25	27	\$312	\$330	\$348	\$366	\$335
C-309	18	18	31	19	21	\$236	\$254	\$272	\$290	\$259
B-1309	18	30	41	25	27	\$315	\$333	\$351	\$369	\$338
C-310	18	18	31	19	21	\$225	\$243	\$261	\$279	\$248
B-1310	18	30	41	25	27	\$295	\$313	\$331	\$349	\$318
C-311	18	18	31	19	21	\$231	\$249	\$267	\$285	\$254
B-1311	18	30	41	25	27	\$287	\$305	\$323	\$341	\$310
C-312	18	18	31	19	21	\$246	\$264	\$282	\$300	\$269
B-1312	18	30	41	25	27	\$313	\$331	\$349	\$367	\$336
C-313	18	18	31	19	21	\$226	\$244	\$262	\$280	\$249
B-1313	18	30	41	25	27	\$272	\$290	\$308	\$326	\$295
C-315A	18	18	31	19	21	\$215	\$233	\$251	\$269	\$238
B-1315A	18	30	41	25	27	\$285	\$303	\$321	\$339	\$308
C-315B	18	18	31	19	21	\$215	\$233	\$251	\$269	\$238
B-1315B	18	30	41	25	27	\$285	\$303	\$321	\$339	\$308
C-315C	18	18	31	19	21	\$215	\$233	\$251	\$269	\$238
B-1315C	18	30	41	25	27	\$285	\$303	\$321	\$339	\$308
C-315D	18	18	31	19	21	\$215	\$233	\$251	\$269	\$238
B-1315D	18	30	41	25	27	\$285	\$303	\$321	\$339	\$308
C-315E	18	18	31	19	21	\$215	\$233	\$251	\$269	\$238
B-1315E	18	30	41	25	27	\$285	\$303	\$321	\$339	\$308
C-316	18	18	31	19	21	\$182	\$200	\$218	\$236	\$205
B-1316	18	30	41	25	27	\$234	\$252	\$270	\$288	\$257
C-319-UBS-US	18	18	32	18	20	\$252	\$292	\$332	\$372	N/A
C-319-UBS-WS	18	18	32	18	20	\$294	\$322	\$350	\$378	---
B-1319-UBS-US	18	30	43	21	25	\$311	\$351	\$391	\$431	N/A
B-1319-UBS-WS	18	30	43	21	25	\$353	\$381	\$409	\$437	---
C-319-WBL	18	18	33	19	21	\$292	\$310	\$328	\$346	\$315
B-1319-WBL	18	30	43	25	27	\$351	\$369	\$387	\$405	\$374
C-319-WBS	18	18	32	18	20	\$283	\$301	\$319	\$337	\$306
B-1319-WBS	18	30	42	21	23	\$341	\$359	\$377	\$395	\$364
C-319-R	18	18	36	20	21	\$267	\$307	\$347	\$387	\$290
B-1319-R	18	30	47	24	27	\$300	\$340	\$380	\$420	\$323
C-319-S	18	30	30	20	N/A	\$345	\$385	\$425	\$465	\$368
B-1319-S	18	30	47	24	N/A	\$378	\$418	\$458	\$498	\$401

METAL CHAIR SPECIFICATIONS & OPTIONS

- METAL FRAMES: 5-year warranty against defects in material and workmanship.
- METAL FRAME COLORS: Standard paint colors are listed on page 4.
- ULTRA CLEAR COLORS: blue, green, copper, mahogany . . . add \$14 per chair and \$22 per barstool.
- WOOD SEAT FINISHES: Standard stain colors are listed on page 4.
- CUSTOM STAIN: Available upon request . . . add \$602 per order.
- WEB SEATING: Available on Park Avenue and Park Avenue Grande Collection . . . add \$22 per chair or barstool.
- CAL 133 COMPLIANCY: Call factory for information . . . add \$19 per chair or barstool.



C-318 B-1318 C-318A B-1318A C-318LA B-1318LA C-318LB B-1318LB C-318LC B-1318LC

UPTOWN

Model	Seat Width	Seat Height	Overall Height	Weight		Vinyl/Upholstery Grade				Wood Seat
				Uph Seat	Wood Seat	Grade 2 COM	Grade 3	Grade 4	Grade 5	
C-318	17	17.5	30	N/A	17	N/A	N/A	N/A	N/A	\$238
B-1318	17	30	42	N/A	21	N/A	N/A	N/A	N/A	\$308
C-318A	17	17.5	30	N/A	17	N/A	N/A	N/A	N/A	\$238
B-1318A	17	30	42	N/A	21	N/A	N/A	N/A	N/A	\$308
C-318LA	17	17.5	30	N/A	17	N/A	N/A	N/A	N/A	\$238
B-1318LA	17	30	42	N/A	21	N/A	N/A	N/A	N/A	\$308
C-318LB	17	17.5	30	N/A	17	N/A	N/A	N/A	N/A	\$238
B-1318LB	17	30	42	N/A	21	N/A	N/A	N/A	N/A	\$308
C-318LC	17	17.5	30	N/A	17	N/A	N/A	N/A	N/A	\$238
B-1318LC	17	30	42	N/A	21	N/A	N/A	N/A	N/A	\$308



C-75 B-75 C-328B7 B-1328B7 C-605 B-1605

CLASSIC

Model	Seat Width	Seat Height	Overall Height	Weight		Vinyl/Upholstery Grade				Wood Seat
				Uph Seat	Wood Seat	Grade 2 COM	Grade 3	Grade 4	Grade 5	
C-75	16	18	36	19	22	\$212	\$230	\$248	\$266	\$235
B-75	16	30	45	23	25	\$254	\$272	\$290	\$308	\$277
C-328B7	16	18	32	19	21	\$253	\$271	\$289	\$307	\$276
B-1328B7	16	30	42.5	23	25	\$310	\$328	\$346	\$364	\$333
C-605	16	18	36	18	20	\$235	\$253	\$271	\$289	\$258
B-1605	16	30	44	22	24	\$298	\$316	\$334	\$352	\$321



C-156 C-156G

STACK CHAIRS

Model	Seat Width	Seat Height	Overall Height	Weight		Vinyl/Upholstery Grade				Wood Seat
				Uph Seat	Wood Seat	Grade 2 COM	Grade 3	Grade 4	Grade 5	
C-156	17	18	36	20	N/A	\$425	\$467	\$509	\$551	N/A
C-156G	17	18	37	22	N/A	\$450	\$492	\$534	\$576	N/A



C-103P



C-103V



B-4032
swivel seat



B-4032CR
swivel seat



B-1130



B-1130B

DINER

Model	Seat Width	Seat Height	Overall Height	Weight		Vinyl/Upholstery Grade				Wood Seat
				Uph Seat	Wood Seat	Grade 2 COM	Grade 3	Grade 4	Grade 5	
C-103P	16	19	33	18	N/A	\$210	\$240	\$270	\$300	N/A
C-103V	16	19	33	18	N/A	\$226	\$256	\$286	\$316	N/A
B-4032	14	30	30	20	N/A	\$170	\$185	\$200	\$215	N/A
B-4032CR	14	30	30	20	N/A	\$210	\$225	\$240	\$255	N/A
B-1130	16	30	30	19	19	\$382	\$397	\$412	\$427	\$405
B-1130B	16	30	34	22	22	\$447	\$462	\$477	\$492	\$470

Diner Collection available with chrome finish only.



C-320F



B-1320F



C-320K



B-1320K



C-321X



B-1321X

CLASSIC II

Model	Seat Width	Seat Height	Overall Height	Weight		Vinyl/Upholstery Grade				Wood Seat
				Uph Seat	Wood Seat	Grade 2 COM	Grade 3	Grade 4	Grade 5	
C-320F-US	16	18	36.5	23	N/A	\$282	\$322	\$362	\$402	N/A
C-320F-WS	16	18	36.5	N/A	25	\$305	\$330	\$355	\$380	---
B-1320F-US	16	30	44	29	N/A	\$352	\$392	\$432	\$472	N/A
B-1320F-WS	16	30	44	N/A	31	\$375	\$400	\$425	\$450	---
C-320K-US	16	18	36.5	22	N/A	\$282	\$322	\$362	\$402	N/A
C-320K-WS	16	18	36.5	N/A	24	\$305	\$330	\$355	\$380	---
B-1320K-US	16	30	44	31	N/A	\$352	\$392	\$432	\$472	N/A
B-1320K-WS	16	30	44	N/A	33	\$375	\$400	\$425	\$450	---
C-321X	16	18	36.5	19	21	\$182	\$200	\$218	\$236	\$205
B-1321X	16	30	43.5	23	25	\$234	\$252	\$270	\$288	\$257

METAL CHAIR SPECIFICATIONS & OPTIONS

- METAL FRAMES: 5-year warranty against defects in material and workmanship.
- METAL FRAME COLORS: Standard paint colors are listed on page 4.
- ULTRA CLEAR COLORS: blue, green, copper, mahogany . . . add \$14 per chair and \$22 per barstool.
- WOOD SEAT AND BACK FINISHES: Standard stain colors are listed on page 4.
- CUSTOM STAIN: Available upon request . . . add \$602 per order.
- CAL 133 COMPLIANCY: Call factory for information . . . add \$19 per chair or barstool.



PARLOR

Model	Seat Width	Seat Height	Overall Height	Weight		Vinyl/Upholstery Grade				Wood Seat
				Uph Seat	Wood Seat	Grade 2 COM	Grade 3	Grade 4	Grade 5	
C-210	16.5	19	35	17	15	\$135	\$150	\$165	\$180	\$158
C-210-PG	16.5	19	35		14 (PG)				PermaGuard	\$235
B-1210	16.5	30	44.5	21	20	\$205	\$220	\$235	\$250	\$228
B-1210-PG	16.5	30	44.5		19 (PG)				PermaGuard	\$305
C-220	16.5	19	35	17	15	\$135	\$150	\$165	\$180	\$158
C-220-PG	16.5	19	35		14 (PG)				PermaGuard	\$235
B-1220	16.5	30	44.5	21	20	\$205	\$220	\$235	\$250	\$228
B-1220-PG	16.5	30	44.5		19 (PG)				PermaGuard	\$305
C-250	16.5	19	35	17	15	\$135	\$150	\$165	\$180	\$158
C-250-PG	16.5	19	35		14 (PG)				PermaGuard	\$235
B-1250	16.5	30	44.5	21	20	\$205	\$220	\$235	\$250	\$228
B-1250-PG	16.5	30	44.5		19 (PG)				PermaGuard	\$305
C-251	16.5	19	35	17	15	\$135	\$150	\$165	\$180	\$158
C-251-PG	16.5	19	35		14 (PG)				PermaGuard	\$235
B-1251	16.5	30	44.5	21	20	\$205	\$220	\$235	\$250	\$228
B-1251-PG	16.5	30	44.5		19 (PG)				PermaGuard	\$305



B-1395

B-1695

1395 / 1695 Upholstered Barstools

Model	Seat Width	Seat Height	Overall Height	Weight	Vinyl/Upholstery Grade			
					Grade 2 COM	Grade 3	Grade 4	Grade 5
B-1395	19	30	48	19	\$430	\$484	\$538	\$592
B-1695	16	30	44	23	\$536	\$604	\$672	\$740

Available in sandtex black with chrome or brass footring.

METAL CHAIR SPECIFICATIONS & OPTIONS

- METAL FRAMES: 5-year warranty against defects in material and workmanship.
- METAL FRAME COLORS: Standard paint colors are listed on page 4.
- ULTRA CLEAR COLORS: blue, green, copper, mahogany . . . add \$14 per chair and \$22 per barstool.
- WOOD SEAT AND BACK FINISHES: Standard stain colors are listed on page 4.
- CUSTOM STAIN: Available upon request . . . add \$602 per order.
- CAL 133 COMPLIANCY: Call factory for information . . . add \$19 per chair or barstool.

	Parlor #CS-210 16.5" wide \$260 17#		Parlor #CS-220 16.5" wide \$260 17#		Parlor #CS-250 16.5" wide \$260 17#		Parlor #CS-251 16.5" wide \$260 17#		Classic #CS-321 16" wide \$261 22#
	Classic #CS-327B7 16" wide \$321 22#		Park Avenue #CS-319-UBS 17" wide \$295 21#		Park Avenue #CS-316 17" wide \$295 22#		Park Avenue #CS-319-WBS 17" wide \$337 21#		Park Avenue #CS-309 17" wide \$295 22#
	Park Avenue #CS-310 17" wide \$295 22#		Park Avenue #CS-315A 17" wide \$320 22#		Park Avenue #CS-315B 17" wide \$320 22#		Park Avenue #CS-315C 17" wide \$320 22#		Park Avenue #CS-315D 17" wide \$320 22#
	Park Avenue #CS-315E 17" wide \$320 22#		Park Avenue #CS-319-WBL 17" wide \$322 21#		Park Avenue #CS-319-UBL 18" wide \$289 22#		Shell Seat #CS-SF-99 18" wide \$164 10#		#CS-630 16.5" wide \$260 17#
	#CS-1395 20" wide \$337 14#		#CS-1695 21" wide \$390 20#		#CS-156 16" Wide \$294 14#		#CS-156D 16" Wide \$294 14#		Diner #CS-103V 16" Wide \$311 14#
	Upholstered Double Ring #UP-99 15" Dia. \$238 12#		Diner #CS-162 17" Dia. \$115 17#		Diner #CS-176 17" Dia. \$120 17#		Diner #CS-164 17" Dia. \$87 17#		

CHAIR HEADS are standard with a swivel. Stationary seats are also available - deduct \$20.

CHAIR SEAT OPTIONS

- SOLID BEECH ROUND SEAT in place of upholstered seat on Parlor Chair Seats and #UP-99 . . . add \$25 per chair.
- SOLID BEECH SADDLE SEAT in place of upholstered seat on Classic & Park Avenue Chair Seats . . . add \$32 per chair.
- CUSTOM STAIN COLOR . . . add \$602 per order
- ULTRA CLEAR COLORS: blue, green, copper, mahogany . . . add \$14 per chair.
- PERMAGUARD SEATS in place of upholstered cushion on Parlor Chair Seats and #UP-99 . . . add \$100 per chair. On Park Avenue...add \$150.
- CHROME is available on Parlor Chair Seats and #UP-99 . . . add \$36 per chair
- SHELL #CS-FS-99 is reinforced fiberglass in bone, grey, blue brilliant, navy blue, crimson red, and hunter green.
- WOOD SEAT AND BACK FINISHES are listed on page 4.
- IN-STOCK UPHOLSTERY: Priced at grade 2... for other grade pricing, contact customer support.

CHAIR SEAT SUPPORTS

BOLT-DOWN CHAIR COLUMN

2 1/4" square steel column with a 6 3/4" round floor anchoring plate and dome shaped escutcheon cover. Black sandtex powder coat.

PART #	COLUMN HEIGHT	COUNTER HEIGHT	WEIGHT	
#0331	16"	30"	10#	\$127
#0332	22"	36"	11#	\$133
#0333	28"	42"	12#	\$141



IN-FLOOR CHAIR COLUMN

2 1/4" square steel column to be grouted 4" deep into a concrete floor with optional dome shaped escutcheon cover. Black sandtex powder coat.

PART #	COLUMN HEIGHT	COUNTER HEIGHT	WEIGHT	
#0341	16"	30"	10#	\$102
#0342	22"	36"	11#	\$108
#0343	28"	42"	12#	\$119
#0120	escutcheon 6" round floor cover		1/2#	\$24



PATIO COLLECTION OUTDOOR FURNITURE



C-810



B-1809



C-816



C-817



B-1816



C-827



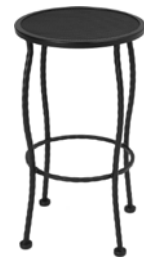
B-1827



C-837



B-1837



B-847



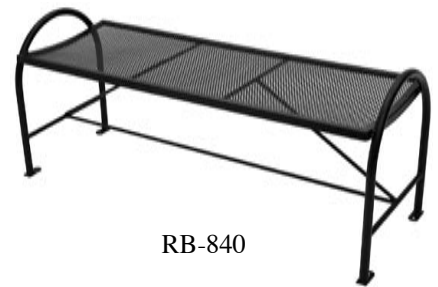
Textured Charcoal
in-stock.
Other colors available by
special order. Call customer
support for more information.



RB-830

PATIO COLLECTION PRICING

Model	Seat Width	Seat Height	Overall Height	Weight	
C-810	22"	18"	34"	26#	\$278
B-1809	22"	29"	47"	29#	\$384
C-816	20"	18"	37"	25#	\$268
C-817	20"	18"	37"	28#	\$288
B-1816	20"	29"	47"	31#	\$377
C-827	17"	18"	35"	24#	\$329
B-1827	17"	29"	40.5"	29#	\$396
C-837	17"	18"	35"	23#	\$340
B-1837	17"	29"	41"	28#	\$406
B-847	16"	29"	29"	22#	\$247
RB-830	50"	18"	33"	74#	\$986
RB-840	50" x 18"	18"	22.5"	47#	\$585
C-105	17"	17"	32"	12#	\$107



RB-840

C-105
Outdoor steel stacking chair
with mesh
seat and back.
Black or Silver only.



PATIO COLLECTION OUTDOOR FURNITURE

All table styles shown come standard with an umbrella hole.
Table height tops and bases are ready to assemble, folding flat for ease of shipping and storage.



MT29-30DM



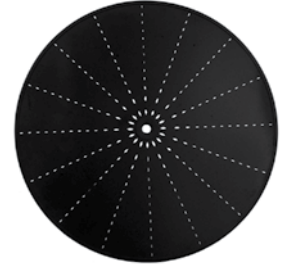
MT29-3030M



MT29-36DM



MT29-4040M
meets ADA specifications



Laser Stamped Table Tops
Available in:
30" x 30", 30" diameter,
36" x 36", 36" diameter,
48" diameter
(special order only)



MT40-24DM



MT40-36DM



MT40-3636M

PATIO COLLECTION PRICING

Model	Width	Height	Weight	
MT29-2430M	24" x 30"	29"	43#	\$455
MT29-30DM	30" Diameter	29"	46#	\$455
MT29-3030M	30" x 30"	29"	46#	\$419
MT29-3048M	30" x 48"	29"	60#	\$604
ST29-3030	30" x 30"	29"	54#	\$590
ST29-30D	30" Diameter	29"	54#	\$590
MT29-3636M	36" x 36"	29"	58#	\$476
MT29-36DM	36" Diameter	29"	51#	\$476
ST29-3636	36" x 36"	29"	51#	\$645
ST29-36D	36" Diameter	29"	59#	\$645
MT29-4040M	40" x 40"	30"	76#	\$823
MT29-42DM	42" Diameter	29"	57#	\$509
MT29-48DM	48" Diameter	29"	59#	\$567
ST29-48D	48" Diameter	29"	82#	\$807
MT40-24DM	24" Diameter	41"	41#	\$535
MT40-36DM	36" Diameter	41"	67#	\$753
ST40-36D	36" Diameter	41"	92#	\$897
MT40-3636M	36" x 36"	41"	84#	\$734
MT40-42DM	42" Diameter	41"	80#	\$907

PATIO COLLECTION PRICING

Model	Description	Width	Height	Weight	
T-201	trash unit	24"	40"	94#	\$1,498
U-170	umbrella	7'	8'	16#	\$622
B-120	umbrella stand	20"	8"	25#	\$222
B-150	flat umbrella stand	18"	18"	22#	\$245



B-120
Decorative umbrella base.



B-150
Flat umbrella base



U-170
7' umbrella with aluminum pole and fiberglass ribs.
Pole is available in platinum or black finish. Canopy is available in heather beige or black. Call factory for information on a screen printed custom logo.



T-201
Trash Unit with 30 gallon liner
(special order only)

PATIO COLLECTION Specifications and Options

Durable Wrought Iron construction.

5-year structural warranty on Wrought Iron furniture.

1-year structural warranty on C-105 steel stack chair.

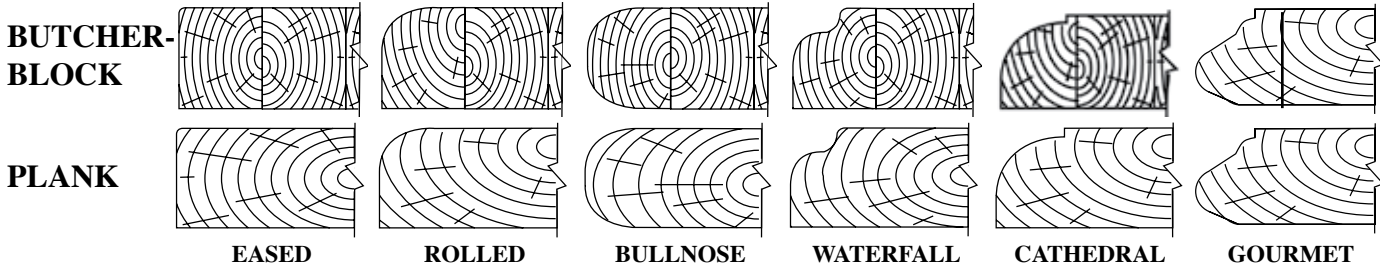
30 day limited warranty on umbrella and frame.

Wrought Iron furniture is stocked in Textured Charcoal.

Other colors available by special order.

C-105 Steel Stack Chair available in Black or Silver only.

SOLID WOOD TABLE TOPS 1 1/2" Standard Thickness Continuous Length



Rustic (eased profile only)

- Beech Plank
- Beech Butcherblock
- Oak Plank
- Oak Butcherblock
- Distressed

	OAK		BEECH		WT.
	BUTCHER BLOCK #SO-01BB	PLANK #SO-01PL	BUTCHER BLOCK #SB-01BB	PLANK #SB-01PL	
24" x 24"	\$297	\$321	\$321	\$297	26
24" x 30"	\$339	\$366	\$366	\$339	34
24" x 42"	\$427	\$461	\$461	\$427	47
24" x 47"	\$465	\$502	\$502	\$465	53
24" x 48"	\$465	\$502	\$502	\$465	54
24" x 59"	\$583	\$630	\$630	\$583	66
24" x 60"	\$583	\$630	\$630	\$583	67
24" x 72"	\$687	\$742	\$742	\$687	80
24" x 96"	\$972	\$1,038	\$1,038	\$972	107
30" x 30"	\$400	\$432	\$432	\$400	42
30" x 42"	\$503	\$543	\$543	\$503	59
30" x 48"	\$567	\$612	\$612	\$567	67
30" x 60"	\$725	\$783	\$783	\$725	84
30" x 72"	\$866	\$935	\$935	\$866	101
30" x 96"	\$1,080	\$1,165	\$1,165	\$1,080	132
36" x 36"	\$565	\$610	\$610	\$565	61
36" x 48"	\$686	\$741	\$741	\$686	80
36" x 60"	\$842	\$909	\$909	\$842	95
36" x 72"	\$988	\$1,067	\$1,067	\$988	121
42" x 42"	\$718	\$775	\$775	\$718	77
48" x 48"	\$894	\$966	\$966	\$894	108
24" round	\$308	\$333	\$333	\$308	22
30" round	\$400	\$432	\$432	\$400	34
36" round	\$565	\$610	\$610	\$565	48
42" round	\$718	\$775	\$775	\$718	67
48" round	\$894	\$966	\$966	\$894	85
54" round	\$1,259	\$1,360	\$1,360	\$1,259	109
60" round	\$1,322	\$1,428	\$1,428	\$1,322	132

SOLID WOOD Table Top Specifications

DISTRESSED tops intentionally show knots, cracks, fissure lines and wear prior to staining and finishing . . . add 5%.

RUSTIC tops feature plank grooves which are added to create a farm house appearance . . . add 5%.

RUSTIC-DISTRESSED tops are distressed tops with plank grooves added . . . add 10%.

BUTCHERBLOCK tops are manufactured using 3/4" strips.
PLANK tops are manufactured using 1 1/2" to 2" strips.

SOLID WOOD Table Top Options

TWO 3" RADIUS CORNERS for wall positioned or wall mounted table tops . . . add \$21 per table.

FOUR 3" RADIUS CORNERS for free standing table tops . . . add \$42 per table.

RADIUS CORNERS larger than 3" (specify size of radius) . . . add \$46 each corner.

CORNER CUTS any size (submit sketch) . . . add \$40 each corner.

WOOD FINISHES: Standard stain colors are listed on p 4.

CUSTOM STAIN COLOR . . . add \$602 per order.

INDIVIDUAL PACKAGING for FEDEX or UPS (30" x 30" or smaller) . . . add \$42 per table.

SOLID WOOD DROP LEAF Table Tops

DROP LEAF table tops: square portion is solid wood with an eased edge. Leaves are solid wood with customer's choice of edge profile.

SLIDE COMPONENTS consist of one slide bar per leaf and two hinges per leaf.

ALL TABLE TOPS LARGER THAN 36" ARE MANUFACTURED WITH TWO STEEL ANGLE IRONS WHICH ARE ANCHORED TO THE BOTTOM OF THE TABLE TO IMPEDE WARPING.

	OAK		BEECH		WT.
	BUTCHER BLOCK #SO-01BB	PLANK #SO-01PL	BUTCHER BLOCK #SB-01BB	PLANK #SB-01PL	
30" x 30"	\$1,427	\$1,533	\$1,533	\$1,427	72
opens to 42" round					
36" x 36"	\$1,751	\$1,869	\$1,869	\$1,751	100
opens to 51" round					
42" x 42"	\$2,082	\$2,234	\$2,234	\$2,082	132
opens to 60" round					

WOOD EDGE & WOOD PERIMETER TABLE TOPS 1 1/4" Standard Thickness



1" WOOD EDGE
#WE-1025



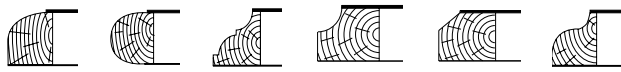
1.5" WOOD PERIMETER
#WP-1525



1" WOOD PERIMETER
#WP-1025

1" WOOD EDGE Specifications

#WE-1025



#WE-1075 drop edge . . . add 15%



ROLLED BULL NOSE OGEE COVE BEVEL WATER FALL

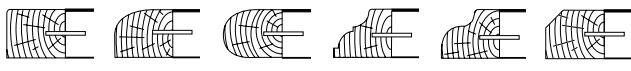
TWO 3" RADIUS CORNERS for wall positioned or wall mounted table tops . . . add \$42 per table.

FOUR 3" RADIUS CORNERS for free standing table tops . . . add \$81 per table.

RADIUS CORNERS larger than 3" (specify size of radius) . . . add \$81 each corner.

1.5" WOOD PERIMETER Specifications

#WP-1525



#WP-1575 drop edge . . . add 10%



EASED ROLLED BULL NOSE OGEE WATER FALL BEVEL

TWO 3" RADIUS CORNERS for wall positioned or wall mounted table tops . . . add \$42 per table.

FOUR 3" RADIUS CORNERS for free standing table tops . . . add \$81 per table.

TWO MITERED RADIUS CORNERS for wall positioned/wall mounted table top . . . add \$21 per table.

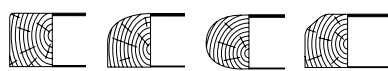
FOUR MITERED RADIUS CORNERS for free standing table tops . . . add \$42 per table.

RADIUS CORNERS larger than 3" (specify size of radius) . . . add \$159 each corner.

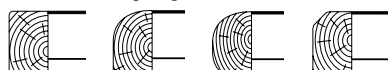
INTERMEDIATE SIZES are not available on #WP-1525 round table tops.

1" WOOD PERIMETER Specifications

#WP-1025



#WP-1075 drop edge . . . add 10%



EASED ROLLED BULL NOSE BEVEL

1" wood perimeter table tops are defined by the construction of overlapping corners. For coordinating round tables, we recommend #WP-1525 or #WE-1025 tops.

	1" WOOD EDGE #WE-1025	1.5" WOOD PERIMETER #WP-1525	1" WOOD PERIMETER #WP-1025	WT.
24" x 24"	\$162	\$252	\$202	22
24" x 30"	\$175	\$269	\$215	28
24" x 42"	\$228	\$329	\$253	39
24" x 47"	\$251	\$375	\$302	44
24" x 48"	\$251	\$375	\$302	45
24" x 59"	\$297	\$426	\$316	55
24" x 60"	\$297	\$426	\$316	56
24" x 72"	\$348	\$489	\$387	67
24" x 96"	\$448	\$761	\$536	89
30" x 30"	\$213	\$302	\$243	35
30" x 42"	\$276	\$379	\$293	49
30" x 48"	\$292	\$426	\$337	56
30" x 60"	\$359	\$481	\$362	70
30" x 72"	\$403	\$574	\$438	84
30" x 96"	\$534	\$830	\$587	110
36" x 36"	\$261	\$386	\$288	51
36" x 48"	\$321	\$503	\$368	67
36" x 60"	\$390	\$570	\$424	84
36" x 72"	\$488	\$649	\$506	101
42" x 42"	\$359	\$478	\$356	71
48" x 48"	\$390	\$571	\$423	90
24" round	\$255	\$412	N/A	18
30" round	\$318	\$479	N/A	28
36" round	\$417	\$574	N/A	40
42" round	\$483	\$654	N/A	56
48" round	\$549	\$734	N/A	71
54" round	\$719	\$878	N/A	91
60" round	\$870	\$989	N/A	110

WOOD EDGE & WOOD PERIMETER DROP LEAF Table Tops

	1" WOOD EDGE #WE-1025	1.5" WOOD PERIMETER #WP-1525	1" WOOD PERIMETER #WP-1025	WT.
30" x 30"	\$925	\$1,170	\$1,090	60
opens to 42" round				
36" x 36"	\$1,031	\$1,330	\$1,239	83
opens to 51" round				
42" x 42"	\$1,179	\$1,571	\$1,461	118
opens to 60" round				

WOOD EDGE & WOOD PERIMETER Options

CORNER CUTS any size (submit sketch) . . . add \$76 each corner.

WOOD FINISHES: Standard stain colors are listed on Page 4.

CUSTOM STAIN COLOR . . . add \$602 per order.

PACKAGING for FEDEX or UPS (30" x 30" or smaller) . . . add \$42 per table.

CUSTOM LAMINATES . . . consult customer support for pricing.

ADA SYMBOL added to any laminated top . . . add \$85.

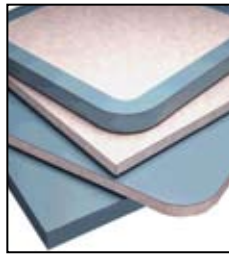
TABLE TOPS . . . metal perimeter, vinyl perimeter, self edge, PermaGuard, padded 1 1/4" Standard Thickness



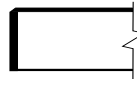
METAL PERIMETER
#MP-0125



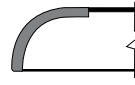
VINYL PERIMETER
#VP-0125



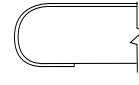
SELF EDGE
#SE-0125



PERMAGUARD
#PG-0125



PADDED
#PA-0125



METAL PERIMETER Table Tops

standard 3" radius corners

Anodized ribbed metal edge with BRIGHT or BRUSHED aluminum finish or smooth edge with SATIN finish.

RADIUS CORNERS larger than 3" (specify size of radius) . . . add \$21 each corner.

VINYL PERIMETER Table Top

Bullnose edge profiled table top, standard 3" radius corners

EDGE COLORS: black, brown, blue, wineberry, dove grey, hunter green, white, roxy red, natural almond, taupe, teal.

RADIUS CORNERS larger than 3" (specify size of radius) . . . add \$21 each corner.

SELF EDGE Table Tops

Square profiled table top, standard square corners

TWO 3" RADIUS CORNERS for wall positioned or wall mounted table tops . . . add \$16 per table.

FOUR 3" RADIUS CORNERS for free standing table tops . . . add \$32 per table.

RADIUS CORNERS larger than 3" (specify size of radius) . . . add \$21 each corner.

DROP EDGE style #SE-0175 . . . add 15%

PERMAGUARD Table Tops

Rolled profiled table top, standard 3/4" radius corners

EDGE COLORS: bordeaux, navy, burgundy, blackberry, fog, blue, red, green, pebble, deep green, brown, teal, black, victorian teal, canyon, purple, beige, aloe, brick, forsythia.

INTERMEDIATE SIZES . . . consult customer support for pricing.

CORNER CUTS on 24" x 42" and 24" x 59" . . . add \$76 each corner.

PADDED Table Tops (shown on top in photo)

Bullnose edge profiled table top with standard 3" radius corners

TWO EASED CORNERS for wall positioned or wall mounted table tops . . . add \$13 per table.

FOUR EASED CORNERS for free standing table tops . . . add \$26 per table.

RADIUS CORNERS larger than 3" (specify size of radius) . . . add \$21 each corner.

SELF EDGE & PADDED DROP LEAF Table Tops

	SELF EDGE #SE-0125	PADDED #PA-0125	WT.
30" x 30"	\$698	\$815	60
opens to 42" round			
36" x 36"	\$744	\$903	83
opens to 51" round			
42" x 42"	\$899	\$1,020	110
opens to 60" round			

	PERMA-GUARD #PG-0125	METAL PERIMETER #MP-0125	VINYL PERIMETER #VP-0125 SELF EDGE #SE-0125 PADDED #PA-0125	WT.
24" x 24"	\$249	\$139	\$89	22
24" x 30"	\$285	\$162	\$112	28
24" x 42"	\$330	\$198	\$138	39
24" x 47"	N/A	\$235	\$158	44
24" x 48"	\$383	\$235	\$158	45
24" x 59"	\$422	\$262	\$181	55
24" x 60"	\$422	\$262	\$181	56
24" x 72"	\$549	\$321	\$235	67
24" x 96"	\$683	\$364	\$286	89
30" x 30"	\$310	\$190	\$133	35
30" x 42"	\$396	\$230	\$171	49
30" x 48"	\$400	\$249	\$210	56
30" x 60"	\$492	\$288	\$221	70
30" x 72"	\$630	\$365	\$279	84
30" x 96"	\$774	\$413	\$355	110
36" x 36"	\$364	\$219	\$156	51
36" x 48"	\$565	\$306	\$211	67
36" x 60"	\$630	\$365	\$238	84
36" x 72"	\$710	\$402	\$303	101
42" x 42"	\$489	\$351	\$262	72
48" x 48"	\$581	\$410	\$262	90
24" round	\$355	\$142	\$113	18
30" round	\$378	\$189	\$148	28
36" round	\$404	\$254	\$173	40
42" round	\$507	\$422	\$275	56
48" round	\$514	\$522	\$275	86
54" round	\$820	\$640	\$342	91
60" round	\$864	\$701	\$381	110



1 1/4" Standard Thickness.

Drop leaf style is not available on Metal Perimeter, Vinyl Perimeter, or PermaGuard table tops.

METAL TABLE BASES

1800 Series



1800 Series
End Bases

Size	Height	Catalog Number	3" Column	4" Column	Add for Chrome		Wt.
22" x 22"	30" Sit Down	1822-30	\$77	\$105	\$123	3" column & base	20
22" x 30"	30" Sit Down	1823-30	\$89	\$117	\$141	3" column & base	21
30" x 30"	30" Sit Down	1830-30	\$98	\$126	\$141	3" column & base	23
36" x 36"	30" Sit Down	1836-30	N/A	\$152	N/A		29
22" end	30" Sit Down	1825-30	\$74	\$102	\$123	3" column & base	17
22" x 22"	42" Bar Height	1822-42	\$115	\$143	\$134	3" column & base	22
22" x 30"	42" Bar Height	1823-42	\$127	\$155	\$148	3" column & base	23
30" x 30"	42" Bar Height	1830-42	\$136	\$164	\$148	3" column & base	25
36" x 36"	42" Bar Height	1836-42	N/A	\$192	N/A		31
22" end	42" Bar Height	1825-42	\$112	\$140	\$130	3" column & base	19

1900 Series



Size	Height	Catalog Number	3" Column	4" Column	Add for Chrome		Wt.
18" Round	30" Sit Down	1918-30	\$147	\$175	\$63	3" column only	30
22" Round	30" Sit Down	1922-30	\$182	\$210	\$63	3" column only	38
30" Round	30" Sit Down	1930-30	\$295	\$323	\$63	3" column only	57
18" Round	42" Bar Height	1918-42	\$185	\$213	\$70	3" column only	32
22" Round	42" Bar Height	1922-42	\$220	\$248	\$70	3" column only	40
30" Round	42" Bar Height	1930-42	\$333	\$361	\$70	3" column only	59

3000 Series



Size	Height	Catalog Number	3" Column	4" Column	Add for Chrome		Wt.
17" Round	30" Sit Down	3017-30	\$182	\$210	\$63	3" column only	38
22" Round	30" Sit Down	3022-30	\$297	\$325	\$63	3" column only	53
17" Round	42" Bar Height	3017-42	\$220	\$248	\$70	3" column only	40
22" Round	42" Bar Height	3022-42	\$335	\$363	\$70	3" column only	55

4000 Series



Size	Height	Catalog Number	3" Column	4" Column	Add for Chrome		Wt.
17" 3 prong	30" Sit Down	4017-30	\$218	N/A	N/A		26
20" 3 prong	30" Sit Down	4020-30	\$232	N/A	N/A		28
23" 3 prong	30" Sit Down	4023-30	\$310	N/A	N/A		40
23" 3 prong	42" Bar Height	4023-42	\$371	N/A	N/A		45

4100 Series



Size	Height	Catalog Number	3" Column	4" Column	Add for Chrome		Wt.
22" 4 prong	30" Sit Down	4122-30	\$261	N/A	N/A		35
25" 4 prong	30" Sit Down	4125-30	\$324	N/A	N/A		42
22" 4 prong	42" Bar Height	4122-42	\$323	N/A	N/A		40
25" 4 prong	42" Bar Height	4125-42	\$386	N/A	N/A		47

TABLE BASE Specifications

All bases are cast iron with a steel column and spider.

Black Sandtex finish is standard.

GLIDES: one per prong or five per round base.

SELF-ADJUSTING GLIDES ARE AVAILABLE: \$27 (set of 4) . . . \$34 (set of 5)

OVERALL BASE HEIGHT: sit-down height is 28 1/8" --- bar height is 40 3/4".

ASSEMBLY: Bases come standard with an 11" stamped welded spider and quick connect assembly. A 15% steel knocked down spider is available by request . . . add \$15.

PRE-DRILLED TABLE TOPS: standard with Waymar bases (except #4000 and #4100 Series).

FTR-18 OPTIONAL STEEL FOOTRING (6 lbs.) . . . add \$87 per base

Available on these table base series with 3" column only: #1800, #1900, #3000, #7000, #8000.



#FTR-18

METAL TABLE BASES

7000 Series



Size	Height	Catalog Number	3" Column	4" Column	Add for Chrome		Wt.
17" Round	30" Sit Down	7017-30	\$189	\$217	\$63	3" column only	27
22" Round	30" Sit Down	7022-30	\$205	\$233	\$63	3" column only	39
30" Round	30" Sit Down	7030-30	\$314	\$342	\$63	3" column only	56
20" x 29" oval	30" Sit Down	7029-30	\$307	\$335	\$63	3" column only	49
17" Round	42" Bar Height	7017-42	\$227	\$255	\$70	3" column only	29
22" Round	42" Bar Height	7022-42	\$243	\$271	\$70	3" column only	41
30" Round	42" Bar Height	7030-42	\$352	\$380	\$70	3" column only	58
20" x 29" oval	42" Bar Height	7029-42	\$345	\$373	\$70	3" column only	51

8000 Series



Size	Height	Catalog Number	3" Column	4" Column	Add for Chrome		Wt.
22" x 3" prong	30" Sit Down	8022-30	\$120	\$148	\$63	3" column only	23
28" x 3" prong	30" Sit Down	8028-30	\$182	\$210	\$63	3" column only	28
22" x 3" prong	42" Bar Height	8022-42	\$158	\$186	\$70	3" column only	25
28" x 3" prong	42" Bar Height	8028-42	\$220	\$248	\$70	3" column only	30

RECOMMENDED BASE SIZES contact customer support for information regarding bases for drop leaf tables.

Table Size	#1800	#1900	#3000	#4000	#4100	#7000	#8000
24" x 24"	1822	1918	3017	4017	4122	7017	8022
24" x 30"	1822	1918	3017	4017	4122	7017	8022
24" x 42"	1823	1922	3022	4020	4122	7029	8028
24" x 48"	(2) 1825	(2) 1918	(2) 3017	(2) 4017	(2) 4122	7029	(2) 8022
24" x 60"	(2) 1825	(2) 1918	(2) 3017	(2) 4017	(2) 4122	(2) 7017	(2) 8022
24" x 72"	(2) 1825	(2) 1918	(2) 3017	(2) 4017	(2) 4122	(2) 7017	(2) 8022
24" x 96"	(3) 1825	(3) 1918	(3) 3017	(3) 4017	(3) 4122	(3) 7017	(3) 8022
30" x 30"	1830	1922	3022	4023	4125	7022	8028
30" x 42"	1823	1922	3022	4023	4125	7029	8028
30" x 48"	(2) 1825	(2) 1922	(2) 3022	(2) 4023	(2) 4125	7029	(2) 8028
30" x 60"	(2) 1825	(2) 1922	(2) 3022	(2) 4023	(2) 4125	(2) 7022	(2) 8028
30" x 72"	(2) 1825	(2) 1922	(2) 3022	(2) 4023	(2) 4125	(2) 7022	(2) 8028
30" x 96"	(3) 1825	(3) 1922	(3) 3022	(3) 4023	(3) 4125	(3) 7022	(3) 8028
36" x 36"	1836	1930	3022	4023	4125	7030	8028
36" x 48"	(2) 1825	1930	(2) 3022	(2) 4023	(2) 4125	7030	(2) 8028
36" x 60"	(2) 1825	(2) 1922	(2) 3022	(2) 4023	(2) 4125	(2) 7022	(2) 8028
36" x 72"	(2) 1825	(2) 1922	(2) 3022	(2) 4023	(2) 4125	(2) 7029	(2) 8028
36" x 96"	(3) 1825	(3) 1922	(3) 3022	(3) 4023	(3) 4125	(3) 7030	(3) 8028
42" x 42"	1836	1930	3022*	-	-	7030	-
48" x 48"	1836	1930*	(3) 3017	(3) 4017	-	7030*	-
24" round	1822	1918	3017	4020	4122	7017	8022
30" round	1830	1922	3017	4023	4125	7022	8028
36" round	1836	1930	3022	4023	4125	7030	8028
42" round	1836	1930	(3) 3017	-	-	7030	-
48" round	1836	1930*	(3) 3017	-	-	7030*	-
54" round	(3) 1825	(3) 1918	(3) 3017	-	-	(3) 7017	-
60" round	(3) 1825	(3) 1918	(3) 3017	-	-	(3) 7017	-

* 4" column recommended

Consideration should be given to floor type when deciding base sizes and styles. Call factory for more information.

H-Base Options



Add \$50 to the list price of any two bases to create a customized H-Base. Call customer service for further information.

TABLE BASE CUSTOM HEIGHT COLUMNS (less than 42") . . . add \$42 per base.

Options STANDARD TABLE BASE paint color is Sandtex Black.

OPTIONAL BASE & COLUMN COLORS are available . . . add \$697 per order (paint color options are listed on page 4).

CHECKLIST FOR TABLE TOPS

SOLID WOOD TABLE TOPS (p.20)

style _____
 size(s) _____
 wood species _____
 wood finish (p.4) _____
 corner style _____
 edge profile _____

WOOD PERIMETER TABLE TOPS (p.21)

1" WP or 1 1/2" WP _____
 size(s) _____
 laminate _____
 wood species _____
 wood finish (p.4) _____
 corner style _____
 edge profile _____

1" WOOD EDGE TABLE TOPS (p.21)

size(s) _____
 laminate _____
 wood species _____
 wood finish (p.4) _____
 corner style _____
 edge profile _____

METAL PERIMETER TABLE TOPS (p.22)

size(s) _____
 laminate _____
 metal finish _____

PERMAGUARD TABLE TOPS (p.22)

size(s) _____
 laminate _____
 edge color (p.28) _____

VINYL PERIMETER TABLE TOPS (p.22)

size(s) _____
 laminate _____
 edge color (p.28) _____

SELF EDGE TABLE TOPS (p.22)

size(s) _____
 top laminate _____
 edge laminate _____
 corner style _____

PADDED TABLE TOPS (p.22)

size(s) _____
 edge profile _____
 corner style _____

GENERAL INFORMATION

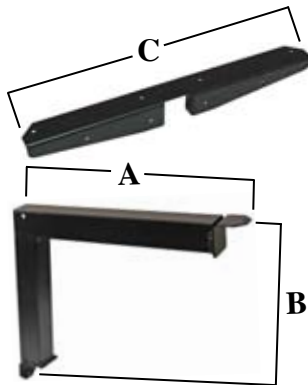
SIZE TOLERANCE: accepted trade practice allows up to 1/2" per dimension for trimming allowance, All dimensions are approximate. Exact dimensions are priced at the next larger size top and must be specified. Intermediate sizes are priced at the next larger size top.

DIRECTIONAL TOPS: the FIRST dimension is width and the SECOND is length (usually the grain/pattern direction). This sequence is also important in ordering tops with 2 radius corners (e.g. 24" x 30" vs. 30" x 24") to convey which dimension is intended as the width.

PLEASE NOTE: the grain/pattern will always run the length of the top unless otherwise specified.

SPECIFICATIONS: 1 1/8" thick 45 lb. particleboard, horizontal grade laminate and a backer create a table 1-1/4" thick.

TABLE SUPPORTS



CANTILEVER TABLE SUPPORTS

- 2" square steel wall mounted table support.
- Black sandtex powder coat.
- Support strength is equivalent to wall and anchoring strength.
- Top deflection is proportionate to how stationary the wall mounting surface is constructed.

PART #	A	B	C	Top Length	Price	Wt.
#0130	28.25"	17.5"	21.5"	up to 42"	\$97	11#
#0115	14"	17.5"	21.5"	up to 30"	\$87	8#

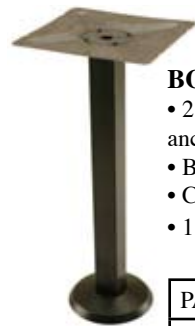
WALL ANGLE . . . \$31

- Catalog Part #0108
- 1" x 1" x 16" steel.
- Black sandtex powder coat.
- Weight . . . 1#



VERTICAL TABLE LEG . . . \$88

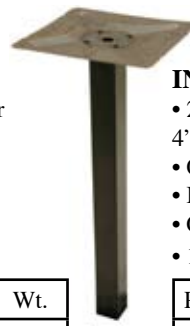
- Catalog Part #0139
- 2" square x 28.75" steel leg.
- Leveler/floor anchor cap included.
- Black sandtex powder coat.
- Custom paint colors available.
- Weight . . . 6#



BOLT-DOWN TABLE COLUMN

- 2.25" square steel column with a 6.75" round floor anchoring plate and dome shaped escutcheon cover.
- Black sandtex powder coat standard.
- Custom paint colors available.
- 11" spider

PART #	Column Height	Top Height	Price	Wt.
#0558	28.75"	30"	\$161	17#
#0559	34.75"	36"	\$169	19#
#0560	40.75"	42"	\$176	21#



IN-FLOOR TABLE COLUMN

- 2.25" square steel column that is grouted 4" deep into a concrete floor.
- Optional escutcheon cover
- Black sandtex powder coat.
- Custom paint colors available.
- 11" spider

PART #	Column Height	Top Height	Price	Wt.
#0184	32.75"	30"	\$126	20#
#0185	38.75"	36"	\$140	22#
#0186	44.75"	42"	\$151	24#
#0120	escutcheon 6" round floor cover		\$24	.5#

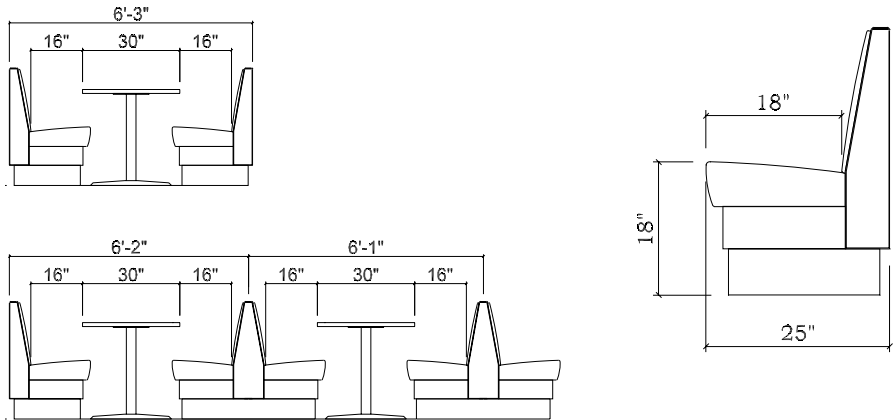
UPHOLSTERED BOOTH SEATING

ST. ANDREWS / RAINIER



FREE STANDING 36" TALL
SINGLE OR DOUBLE FULLY
UPHOLSTERED BOOTH WITH
A PLAIN FLAT BACK.

RECOMMENDED MINIMUM BOOTH OPENING FOR ALL FULLY UPHOLSTERED BOOTH STYLES.



ST. ANDREWS / RAINIER BOOTH PRICING

	Single					Double				
	30"	48"	60"	72"		30"	48"	60"	72"	
ST. ANDREWS	#STA-30-S	#STA-48-S	#STA-60-S	#STA-72-S	ADD PER	#STA-30-D	#STA-48-D	#STA-60-D	#STA-72-D	ADD PER
RAINIER	#RAI-30-S	#RAI-48-S	#RAI-60-S	#RAI-72-S	LIN. FT.	#RAI-30-D	#RAI-48-D	#RAI-60-D	#RAI-72-D	LIN. FT.
COM/ Grade 2	\$741	\$823	\$1,152	\$1,382	\$206	\$1,112	\$1,235	\$1,729	\$2,075	\$309
Grade 3	\$827	\$909	\$1,277	\$1,557	\$227	\$1,237	\$1,360	\$1,904	\$2,325	\$340
Grade 4	\$913	\$995	\$1,402	\$1,732	\$249	\$1,362	\$1,485	\$2,079	\$2,575	\$371
Grade 5	\$999	\$1,081	\$1,527	\$1,907	\$270	\$1,487	\$1,610	\$2,254	\$2,825	\$403
Weight	82#	100#	112#	124#		148#	180#	202#	224#	
Beech Topcap	\$28	\$45	\$68	\$91		\$28	\$45	\$68	\$91	
Beech Endcap	\$90	\$90	\$90	\$90		\$110	\$110	\$110	\$110	
2nd Vinyl Endcap	\$31	\$31	\$31	\$31		\$36	\$36	\$36	\$36	
Vinyl Crumbstrip	\$40	\$40	\$40	\$40		\$80	\$80	\$80	\$80	

UPHOLSTERED BOOTH SPECIFICATIONS

- 30", 48", 60" and 72" standard lengths.
- Engineered plywood frame.
- Standard Sytex™ web seating support if shipping from MN.
- Standard spring seating support if shipping from WA.
- Standard single booth includes one finished end (specify L or R as if sitting on the booth).
- Standard single booth has an unfinished outside back.
- Standard finish for kickbase is black vinyl.
- Standard height is 36" for St. Andrews, Rainier, Eldorado, Creighton, Cornell, Oxford, Dartmouth, Chevy, Impala, Amherst, and Applegate. For 42" height on these styles . . . add 15%.
- Standard height is 42" for Columbia, Yale, Princeton, Cambridge, Berkeley, McKinley, McAllister, Ponderosa and Caldera.
- Standard height is 44" for Georgetown.
- Standard height is 48" for Harvard, Rose and Junction.

UPHOLSTERED BOOTH OPTIONS

- For two finished ends . . . add \$31.
- For beech endcap on a single booth . . . add \$90 per endcap.
- For beech endcap on a double booth . . . add \$110 per endcap.
- For vinyl crumb strip on a single booth . . . add \$40 per booth.
- For vinyl crumb strip on a double booth . . . add \$80 per booth.
- For finished outside back on single booth add . . . \$50 per lineal foot.

UPHOLSTERED BOOTH SEATING

CREIGHTON



FREE STANDING 36" TALL SINGLE OR DOUBLE FULLY UPHOLSTERED BOOTH WITH VERTICAL CHANNEL BACK.

CORNELL



FREE STANDING 36" TALL SINGLE OR DOUBLE FULLY UPHOLSTERED BOOTH WITH HORIZONTAL CHANNEL BACK.

OXFORD



FREE STANDING 36" TALL SINGLE OR DOUBLE FULLY UPHOLSTERED BOOTH WITH PLAIN BACK AND 6" NECK ROLL.*

DARTMOUTH



FREE STANDING 36" TALL SINGLE OR DOUBLE FULLY UPHOLSTERED BOOTH WITH BACK STYLE CONSISTING OF TWO UPHOLSTERIES..

CHEVY



FREE STANDING 36" TALL SINGLE OR DOUBLE FULLY UPHOLSTERED BOOTH WITH 50'S STYLE BACK.

IMPALA



FREE STANDING 36" TALL SINGLE OR DOUBLE FULLY UPHOLSTERED BOOTH WITH 50'S STYLE BACK.

CREIGHTON, CORNELL, OXFORD, DARTMOUTH, CHEVY, IMPALA BOOTH PRICING

	Single					Double				
	30"	48"	60"	72"		30"	48"	60"	72"	
CREIGHTON	#CRE-30-S	#CRE-48-S	#CRE-60-S	#CRE-72-S		#CRE-30-D	#CRE-48-D	#CRE-60-D	#CRE-72-D	
CORNELL	#COR-30-S	#COR-48-S	#COR-60-S	#COR-72-S		#COR-30-D	#COR-48-D	#COR-60-D	#COR-72-D	
OXFORD	#OXF-30-S	#OXF-48-S	#OXF-60-S	#OXF-72-S		#OXF-30-D	#OXF-48-D	#OXF-60-D	#OXF-72-D	
DARTMOUTH	#DAR-30-S	#DAR-48-S	#DAR-60-S	#DAR-72-S		#DAR-30-D	#DAR-48-D	#DAR-60-D	#DAR-72-D	
CHEVY	#CHE-30-S	#CHE-48-S	#CHE-60-S	#CHE-72-S	ADD PER	#CHE-30-D	#CHE-48-D	#CHE-60-D	#CHE-72-D	ADD PER
IMPALA	#IMP-30-S	#IMP-48-S	#IMP-60-S	#IMP-72-S	LIN. FT.	#IMP-30-D	#IMP-48-D	#IMP-60-D	#IMP-72-D	LIN. FT.
COM/ Grade 2	\$811	\$901	\$1,261	\$1,513	\$225	\$1,217	\$1,352	\$1,893	\$2,272	\$338
Grade 3	\$897	\$987	\$1,386	\$1,688	\$247	\$1,342	\$1,477	\$2,068	\$2,522	\$369
Grade 4	\$983	\$1,073	\$1,511	\$1,863	\$268	\$1,467	\$1,602	\$2,243	\$2,772	\$401
Grade 5	\$1,069	\$1,159	\$1,636	\$2,038	\$290	\$1,592	\$1,727	\$2,418	\$3,022	\$432
Weight	82#	100#	112#	124#		148#	180#	202#	224#	
Beech Topcap	\$28	\$45	\$68	\$91		\$28	\$45	\$68	\$91	
Beech Endcap	\$90	\$90	\$90	\$90		\$110	\$110	\$110	\$110	
2nd Vinyl Endcap	\$31	\$31	\$31	\$31		\$36	\$36	\$36	\$36	
Vinyl Crumbstrip	\$40	\$40	\$40	\$40		\$80	\$80	\$80	\$80	

* If overall height of Oxford booth is increased to 42", height of neck roll increases to 8".

UPHOLSTERED BOOTH SEATING

HARVARD



FREE STANDING SINGLE OR DOUBLE FULLY UPHOLSTERED BOOTH WITH 42" ENDS BUILDING TO 48" AT CENTER AND A DIAGONAL CHANNEL BACK.

COLUMBIA



FREE STANDING SINGLE OR DOUBLE FULLY UPHOLSTERED BOOTH WITH 36" ENDS ARCHING TO 42" AT CENTER AND A PLAIN BACK FRAMED BY A 6" PILLOW.

HARVARD & COLUMBIA BOOTH PRICING

	Single					ADD PER LIN. FT.	Double				
	30"	48"	60"	72"	30"		48"	60"	72"		
HARVARD	#HAR-30-S	#HAR-48-S	#HAR-60-S	#HAR-72-S		#HAR-30-D	#HAR-48-D	#HAR-60-D	#HAR-72-D	ADD PER LIN. FT.	
COLUMBIA	#COL-30-S	#COL-48-S	#COL-60-S	#COL-72-S		#COL-30-D	#COL-48-D	#COL-60-D	#COL-72-D		
COM/ Grade 2	\$976	\$1,084	\$1,518	\$1,822	\$271	\$1,463	\$1,626	\$2,276	\$2,731	\$407	
Grade 3	\$1,062	\$1,170	\$1,643	\$1,997	\$293	\$1,588	\$1,751	\$2,451	\$2,981	\$438	
Grade 4	\$1,148	\$1,256	\$1,768	\$2,172	\$314	\$1,713	\$1,876	\$2,626	\$3,231	\$469	
Grade 5	\$1,234	\$1,342	\$1,893	\$2,347	\$336	\$1,838	\$2,001	\$2,801	\$3,481	\$500	
Weight	88#	106#	118#	130#		154#	186#	208#	220#		
Beech Topcap	N/A	N/A	N/A	N/A		N/A	N/A	N/A	N/A		
Beech Endcap	\$90	\$90	\$90	\$90		\$110	\$110	\$110	\$110		
2nd Vinyl Endcap	\$31	\$31	\$31	\$31		\$36	\$36	\$36	\$36		
Vinyl Crumbstrip	\$40	\$40	\$40	\$40		\$80	\$80	\$80	\$80		

CALDERA



FREE STANDING 42" TALL SINGLE OR DOUBLE UPHOLSTERED BOOTH WITH AN OPEN BOTTOM AND A BEAD BOARD BASE. A BEECH VENEER BACK PANEL ON THE SINGLE UNIT IS STANDARD WITH AN OPTION FOR UPHOLSTERY OR VINYL.

McKINLEY



FREE STANDING 42" TALL SINGLE OR DOUBLE UPHOLSTERED BOOTH WITH AN OPEN BOTTOM AND SOLID WOOD BASE.

CALDERA & McKINLEY BOOTH PRICING

	Single					ADD PER LIN. FT.	Double				
	30"	48"	60"	72"	30"		48"	60"	72"		
CALDERA	#CAL-30-S	#CAL-48-S	#CAL-60-S	#CAL-72-S		#CAL-30-D	#CAL-48-D	#CAL-60-D	#CAL-72-D	ADD PER LIN. FT.	
McKINLEY	#MCK-30-S	#MCK-48-S	#MCK-60-S	#MCK-72-S		#MCK-30-D	#MCK-48-D	#MCK-60-D	#MCK-72-D		
COM/ Grade 2	\$1,322	\$1,469	\$2,057	\$2,468	\$367	\$1,984	\$2,204	\$3,086	\$3,703	\$551	
Grade 3	\$1,408	\$1,555	\$2,182	\$2,643	\$389	\$2,109	\$2,329	\$3,261	\$3,953	\$582	
Grade 4	\$1,494	\$1,641	\$2,307	\$2,818	\$410	\$2,234	\$2,454	\$3,436	\$4,203	\$614	
Grade 5	\$1,580	\$1,727	\$2,432	\$2,993	\$432	\$2,359	\$2,579	\$3,611	\$4,453	\$645	
Weight	100#	150#	175#	200#		175#	225#	250#	275#		
Beech topcap	\$28	\$45	\$68	\$91		\$28	\$45	\$68	\$91		
Beech endcap	\$90	\$90	\$90	\$90		\$110	\$110	\$110	\$110		
2nd Vinyl endcap	\$31	\$31	\$31	\$31		\$36	\$36	\$36	\$36		
Vinyl Crumbstrip	\$40	\$40	\$40	\$40		\$80	\$80	\$80	\$80		

For vinyl finished outside back - add \$50 list per lineal foot.
These booths come standard with and are priced with a plain back.

UPHOLSTERED BOOTH SEATING

YALE



FREE STANDING 42" TALL
SINGLE OR DOUBLE FULLY
UPHOLSTERED BOOTH
WITH A SPLIT BACK AND
DUAL PADS.

PRINCETON



FREE STANDING 42" TALL
SINGLE OR DOUBLE FULLY
UPHOLSTERED BOOTH WITH
PLAIN SLIPCOVER STYLE
BACK.

AMHERST



FREE STANDING 36" TALL
SINGLE OR DOUBLE FULLY
UPHOLSTERED BOOTH WITH
MACHINE TUFTED BACK
DIAMOND TUFTING (SHOWN) IS
STANDARD. BISCUIT TUFTING IS
ALSO AVAILABLE.
HAND TUFTING . . . ADD 30%

CAMBRIDGE



FREE STANDING SINGLE
OR DOUBLE FULLY
UPHOLSTERED BOOTH WITH
36" ENDS ARCHING TO 42" AT
CENTER.

BERKELEY



FREE STANDING 42" TALL
SINGLE OR DOUBLE FULLY
UPHOLSTERED BOOTH WITH
DEEP SEAT AND DOUBLE
BUTTON BACK.

YALE, PRINCETON, CAMBRIDGE, AMHERST, BERKELEY BOOTH PRICING

	Single					Double				
	30"	48"	60"	72"		30"	48"	60"	72"	
YALE	#YAL-30-S	#YAL-48-S	#YAL-60-S	#YAL-72-S		#YAL-30-D	#YAL-48-D	#YAL-60-D	#YAL-72-D	
PRINCETON	#PRI-30-S	#PRI-48-S	#PRI-60-S	#PRI-72-S		#PRI-30-D	#PRI-48-D	#PRI-60-D	#PRI-72-D	
CAMBRIDGE	#CAM-30-S	#CAM-48-S	#CAM-60-S	#CAM-72-S		#CAM-30-D	#CAM-48-D	#CAM-60-D	#CAM-72-D	
AMHERST	#AMH-30-S	#AMH-48-S	#AMH-60-S	#AMH-72-S	ADD PER	#AMH-30-D	#AMH-48-D	#AMH-60-D	#AMH-72-D	ADD PER
BERKELEY	#BER-30-S	#BER-48-S	#BER-60-S	#BER-72-S	LIN. FT.	#BER-30-D	#BER-48-D	#BER-60-D	#BER-72-D	LIN. FT.
COM/ Grade 2	\$869	\$966	\$1,352	\$1,622	\$242	\$1,304	\$1,449	\$2,029	\$2,435	\$362
Grade 3	\$955	\$1,052	\$1,477	\$1,797	\$263	\$1,429	\$1,574	\$2,204	\$2,685	\$394
Grade 4	\$1,041	\$1,138	\$1,602	\$1,972	\$285	\$1,554	\$1,699	\$2,379	\$2,935	\$425
Grade 5	\$1,127	\$1,224	\$1,727	\$2,147	\$306	\$1,679	\$1,824	\$2,554	\$3,185	\$456
Weight	88#	106#	118#	130#		154#	186#	208#	220#	
Beech Topcap	\$28	\$45	\$68	\$91		\$28	\$45	\$68	\$91	
Beech Endcap	\$90	\$90	\$90	\$90		\$110	\$110	\$110	\$110	
2nd Vinyl Endcap	\$31	\$31	\$31	\$31		\$36	\$36	\$36	\$36	
Vinyl Crumbstrip	\$40	\$40	\$40	\$40		\$80	\$80	\$80	\$80	

BAYLOR backless waiting bench



FREE STANDING 18" TALL BACKLESS UPHOLSTERED
WAITING BENCH. 20" DEEP. STANDARD LENGTHS
ARE 48", 60" AND 72". STANDARD FINISH FOR
KICKBASE IS BLACK VINYL.

BAYLOR PRICING

	48"	60"	72"	ADD PER
BAYLOR	#BAY-48-S	#BAY-60-S	#BAY-72-S	LINEAL FT.
COM/ Grade 2	\$544	\$680	\$816	\$136
Grade 3	\$594	\$745	\$891	\$149
Grade 4	\$644	\$810	\$966	\$161
Grade 5	\$694	\$875	\$1,041	\$174
Weight	72#	90#	108#	

UPHOLSTERED BOOTH SEATING

GEORGETOWN



FREE STANDING 44" TALL
SINGLE OR DOUBLE FULLY
UPHOLSTERED BOOTH WITH A
FLAT BACK AND A STANDARD
60" TALL SOLID WOOD POLE
AND COAT HOOK.

ROSE



FREE STANDING 48" TALL
SINGLE OR DOUBLE
UPHOLSTERED BOOTH WITH A
BEECH WOOD TRIMMED BACK.
THE ROSE COMES STANDARD
WITH A FLAT UPHOLSTERED
BACK, AN 8" NECK ROLL AND A
DEEP SEAT.

GEORGETOWN & ROSE BOOTH PRICING

	Single					ADD PER LIN. FT.	Double				
	30"	48"	60"	72"			30"	48"	60"	72"	
GEORGETOWN	#GEO-30-S	#GEO-48-S	#GEO-60-S	#GEO-72-S			#GEO-30-D	#GEO-48-D	#GEO-60-D	#GEO-72-D	ADD PER
ROSE	#ROS-30-S	#ROS-48-S	#ROS-60-S	#ROS-72-S			#ROS-30-D	#ROS-48-D	#ROS-60-D	#ROS-72-D	LIN. FT.
COM/ Grade 2	\$1,182	\$1,313	\$1,838	\$2,206	\$328		\$1,773	\$1,970	\$2,758	\$3,310	\$493
Grade 3	\$1,268	\$1,399	\$1,963	\$2,381	\$350		\$1,898	\$2,095	\$2,933	\$3,560	\$524
Grade 4	\$1,354	\$1,485	\$2,088	\$2,556	\$371		\$2,023	\$2,220	\$3,108	\$3,810	\$555
Grade 5	\$1,440	\$1,571	\$2,213	\$2,731	\$393		\$2,148	\$2,345	\$3,283	\$4,060	\$586
Weight	100#	150#	175#	200#			175#	225#	250#	275#	
Beech topcap	\$28	\$45	\$68	\$91			\$28	\$45	\$68	\$91	
Beech endcap	\$90	\$90	\$90	\$90			\$110	\$110	\$110	\$110	
2nd Vinyl endcap	\$31	\$31	\$31	\$31			\$36	\$36	\$36	\$36	
Vinyl Crumbstrip	\$40	\$40	\$40	\$40			\$80	\$80	\$80	\$80	

JUNCTION



FREE STANDING 48"
STANDARD HEIGHT SINGLE
OR DOUBLE UPHOLSTERED
BOOTH. COMES STANDARD
WITH THREE HORIZONTAL
CHANNELS.

McALLISTER



FREE STANDING 42"
STANDARD HEIGHT SINGLE
OR DOUBLE UPHOLSTERED
BOOTH. THIS IS A WOOD
BASED BOOTH THAT COMES
STANDARD WITH A FLAT
BACK AND NECK ROLL.

JUNCTION & McALLISTER BOOTH PRICING

	Single					ADD PER LIN. FT.	Double				
	30"	48"	60"	72"			30"	48"	60"	72"	
JUNCTION	#JUN-30-S	#JUN-48-S	#JUN-60-S	#JUN-72-S			#JUN-30-D	#JUN-48-D	#JUN-60-D	#JUN-72-D	ADD PER
McALLISTER	#MCA-30-S	#MCA-48-S	#MCA-60-S	#MCA-72-S			#MCA-30-D	#MCA-48-D	#MCA-60-D	#MCA-72-D	LIN. FT.
COM/ Grade 2	\$1,436	\$1,596	\$2,234	\$2,681	\$399		\$2,155	\$2,394	\$3,352	\$4,022	\$599
Grade 3	\$1,522	\$1,682	\$2,359	\$2,856	\$421		\$2,280	\$2,519	\$3,527	\$4,272	\$630
Grade 4	\$1,608	\$1,768	\$2,484	\$3,031	\$442		\$2,405	\$2,644	\$3,702	\$4,522	\$661
Grade 5	\$1,694	\$1,854	\$2,609	\$3,206	\$464		\$2,530	\$2,769	\$3,877	\$4,772	\$692
Weight	82#	100#	112#	124#			148#	180#	202#	224#	
Beech Topcap	\$28	\$45	\$68	\$91			\$28	\$45	\$68	\$91	
Beech Endcap	\$90	\$90	\$90	\$90			\$110	\$110	\$110	\$110	
2nd Vinyl Endcap	\$31	\$31	\$31	\$31			\$36	\$36	\$36	\$36	
Vinyl Crumbstrip	\$40	\$40	\$40	\$40			\$80	\$80	\$80	\$80	

For vinyl finished outside back - add \$50 list per lineal foot.

UPHOLSTERED BOOTH SEATING

ELDORADO



FREE STANDING 36" TALL SINGLE OR DOUBLE UPHOLSTERED BOOTH WITH A LAMINATED FRAME AND A FLAT PILLOW STYLE BACK DESIGN. ALTERNATE BACK STYLES ARE AVAILABLE.

ELDORADO BOOTH PRICING

	Single					ADD PER LIN. FT.	Double				
	30"	48"	60"	72"	30"		48"	60"	72"	ADD PER LIN. FT.	
ELDORADO	#ELD-30-S	#ELD-48-S	#ELD-60-S	#ELD-72-S		#ELD-30-D	#ELD-48-D	#ELD-60-D	#ELD-72-D		
COM/ Grade 2	\$1,385	\$1,539	\$2,155	\$2,586	\$385	\$2,078	\$2,309	\$3,233	\$3,880	\$577	
Grade 3	\$1,425	\$1,589	\$2,215	\$2,656	\$397	\$2,128	\$2,379	\$3,323	\$3,990	\$595	
Grade 4	\$1,465	\$1,639	\$2,275	\$2,726	\$410	\$2,178	\$2,449	\$3,413	\$4,100	\$612	
Grade 5	\$1,505	\$1,689	\$2,335	\$2,796	\$422	\$2,228	\$2,519	\$3,503	\$4,210	\$630	
Weight	82#	100#	112#	124#		148#	180#	202#	224#		
Beech Topcap	\$28	\$45	\$68	\$91		\$28	\$45	\$68	\$91		
Beech Endcap	\$90	\$90	\$90	\$90		\$110	\$110	\$110	\$110		
2nd Vinyl Endcap	\$31	\$31	\$31	\$31		\$36	\$36	\$36	\$36		
Vinyl Crumbstrip	\$40	\$40	\$40	\$40		\$80	\$80	\$80	\$80		

For vinyl finished outside back - add \$50 list per lineal foot.

APPLEGATE



FREE STANDING 36" TALL SINGLE UPHOLSTERED BOOTH WITH AN OPEN BOTTOM. THIS UNIQUE BOOTH HAS A GENTLE CURVE THAT RUNS THE LENGTH. ALTERNATE BACK STYLES ARE AVAILABLE.

PONDEROSA



FREE STANDING SINGLE OR DOUBLE UPHOLSTERED BOOTH. ENDS ARE 36" TALL ARCHING TO 42" AT HUMPS AND ARCHING BACK DOWN TO 36" IN THE CENTER.

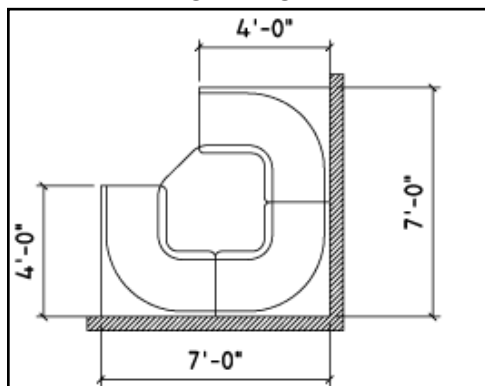
APPLEGATE & PONDEROSA PRICING

	Single					ADD PER LIN. FT.	Double				
	30"	48"	60"	72"	30"		48"	60"	72"	ADD PER LIN. FT.	
APPLEGATE	#APL-30-S	#APL-48-S	#APL-60-S	#APL-72-S		#APL-30-D	#APL-48-D	#APL-60-D	#APL-72-D		
PONDEROSA	#PON-30-S	#PON-48-S	#PON-60-S	#PON-72-S		#PON-30-D	#PON-48-D	#PON-60-D	#PON-72-D		
COM/ Grade 2	\$1,616	\$1,796	\$2,514	\$3,017	\$449	\$2,425	\$2,694	\$3,772	\$4,526	\$674	
Grade 3	\$1,702	\$1,882	\$2,639	\$3,192	\$471	\$2,550	\$2,819	\$3,947	\$4,776	\$705	
Grade 4	\$1,788	\$1,968	\$2,764	\$3,367	\$492	\$2,675	\$2,944	\$4,122	\$5,026	\$736	
Grade 5	\$1,874	\$2,054	\$2,889	\$3,542	\$514	\$2,800	\$3,069	\$4,297	\$5,276	\$767	
Weight	100#	150#	175#	200#		175#	225#	250#	275#		
Beech Topcap	\$28	\$45	\$68	\$91		\$28	\$45	\$68	\$91		
Beech Endcap	\$90	\$90	\$90	\$90		\$110	\$110	\$110	\$110		
2nd Vinyl Endcap	\$31	\$31	\$31	\$31		\$36	\$36	\$36	\$36		
Vinyl Crumbstrip	\$40	\$40	\$40	\$40		\$80	\$80	\$80	\$80		

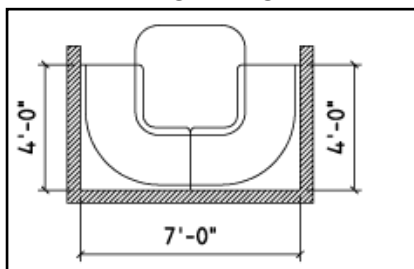
UPHOLSTERED CORNER BOOTH SEATING



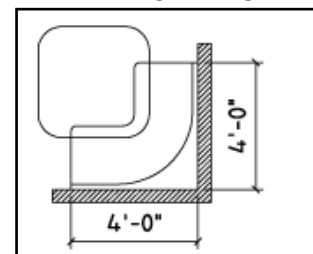
3/4 Corner Unit



1/2 Corner Unit



1/4 Corner Unit



UPHOLSTERED CORNER BOOTH PRICING EXAMPLE.
 Total outside back dimensions (based on 3/4 unit drawing shown).
 $4' \times 7' \times 7' \times 4' = 22'$
 Multiply total distance by price per lineal foot.
 (based on St. Andrews style booth with Grade 2 upholstery)
 $22' \times \$206 = \4532
 Plus \$200 per corner.
 Plus \$50 per lineal foot on vinyl finished outside backs.

UPHOLSTERED CORNER BOOTH PRICING

	St. Andrews Rainier	Creighton Cornell Oxford Dartmouth Chevy Impala	Yale Princeton Cambridge Amherst Berkeley	Harvard Columbia	Georgetown Rose	Caldera McKinley	Applegate Ponderosa
COM/ Grade 2	\$206	\$225	\$242	\$271	\$328	\$367	\$449
Grade 3	\$227	\$247	\$263	\$293	\$350	\$389	\$470
Grade 4	\$249	\$268	\$285	\$314	\$371	\$410	\$492
Grade 5	\$270	\$290	\$306	\$336	\$393	\$432	\$513

UPHOLSTERED CORNER BOOTH SPECIFICATIONS AND OPTIONS

- Standard height is 36" for St. Andrews, Rainier, Creighton, Cornell, Oxford, Dartmouth, Chevy, Impala, Amherst and Applegate. For 42" height on these styles . . . add 15%.
- Standard height is 42" for Columbia, Yale, Princeton, Cambridge, McKinley, McAllister, Caldera, Ponderosa and Berkeley.
- Standard height is 44" for Georgetown.
- Standard height is 48" for Harvard, Rose and Junction.
- Engineered plywood frame.
- Standard Sytex™ web seating support.
- Standard stain selections are shown on page 4.
- For beech endcap where vinyl is standard . . . add \$90 per endcap.
- For beech topcap where vinyl is standard . . . add \$10 per lineal foot.
- For vinyl crumbstrip . . . call factory for pricing.
- Standard booth has an unfinished outside back.
- Standard finish for kickbase is black vinyl.
- Custom stain colors are available . . . add \$602 per order.

WOODCREST SERIES 1, 2 & 3 BOOTH SEATING



**WOODCREST
SERIES 1**



**WOODCREST
SERIES 2**



**WOODCREST
SERIES 3**

WOODCREST BOOTH PRICING

	Single				Double			
	30"	48"	60"	72"	30"	48"	60"	72"
Series 1	#WC1-30-S	#WC1-48-S	#WC1-60-S	#WC1-72-S	#WC1-30-D	#WC1-48-D	#WC1-60-D	#WC1-72-D
Series 2	#WC2-30-S	#WC2-48-S	#WC2-60-S	#WC2-72-S	#WC2-30-D	#WC2-48-D	#WC2-60-D	#WC2-72-D
Series 3	#WC3-30-S	#WC3-48-S	#WC3-60-S	#WC3-72-S	#WC3-30-D	#WC3-48-D	#WC3-60-D	#WC3-72-D
Non-Upholstered	\$724	\$905	\$1,003	\$1,103	\$1,123	\$1,358	\$1,558	\$1,713
Weight non-upholstered	104#	123#	128#	134#	165#	191#	218#	246#
COM/ Grade 2	\$794	\$990	\$1,103	\$1,218	\$1,208	\$1,458	\$1,683	\$1,863
Grade 3	\$834	\$1,040	\$1,163	\$1,288	\$1,268	\$1,528	\$1,773	\$1,973
Grade 4	\$874	\$1,090	\$1,223	\$1,358	\$1,328	\$1,598	\$1,863	\$2,083
Grade 5	\$914	\$1,140	\$1,283	\$1,428	\$1,388	\$1,668	\$1,953	\$2,193
Weight upholstered	110#	133#	141#	150#	177#	211#	244#	276#

WOODCREST BOOTH SPECIFICATIONS AND OPTIONS

Solid wood and wood veneer plywood construction.
 2" upholstered boat style seat is 16" deep. Choice of one 16" or two 8" wide 2"-thick back cushions.
 Custom stain colors are available . . . add \$602 per order.
 Seat cushion only . . . deduct 5% from upholstery grade pricing.
 Back cushion only . . . deduct 5% from upholstery grade pricing.
 For recommended booth opening dimensions . . . see page 39.
 Overall height of all Woodcrest style booths is 42".

CAMDEN BOOTH SEATING



CAMDEN BOOTH SPECIFICATIONS AND OPTIONS

Free standing booth. 46" tall.
 Solid wood end caps, top cap and apron.
 3" upholstered boat style seat is 19" deep.
 16" upholstered back cushion.
 Upholstered back panel on single booth is standard.
 In-House stain selections are shown on page 4.
 Custom stain colors are available . . . add \$602 per order.
 For recommended booth opening dimensions see page 39.

CAMDEN BOOTH PRICING

	Single					ADD PER LIN. FT.	Double				ADD PER LIN. FT.
	30"	48"	60"	72"	30"		48"	60"	72"		
CAMDEN	#CD2-30-S	#CD2-48-S	#CD2-60-S	#CD2-72-S		#CD2-30-D	#CD2-48-D	#CD2-60-D	#CD2-72-D		
COM/ Grade 2	\$1,038	\$1,308	\$1,438	\$1,606	\$327	\$1,614	\$2,094	\$2,304	\$2,494	\$524	
Grade 3	\$1,078	\$1,358	\$1,498	\$1,676	\$340	\$1,674	\$2,164	\$2,394	\$2,604	\$541	
Grade 4	\$1,118	\$1,408	\$1,558	\$1,746	\$352	\$1,734	\$2,234	\$2,484	\$2,714	\$559	
Grade 5	\$1,158	\$1,458	\$1,618	\$1,816	\$365	\$1,794	\$2,304	\$2,574	\$2,824	\$576	
Weight	165#	198#	230#	260#		215#	256#	308#	358#		

**CORNER BOOTHS ARE AVAILABLE FOR SOUTHCROSS, MANHATTAN AND CAMDEN BOOTHS.
 CALL FACTORY FOR INFORMATION AND PRICING.**

SOUTHCROSS 2, SOUTHCROSS 3 AND MANHATTAN BOOTH SEATING



SOUTHCROSS 2



SOUTHCROSS 3



MANHATTAN

SOUTHCROSS 2, SOUTHCROSS 3 & MANHATTAN BOOTH PRICING

	Single					ADD PER LIN. FT.	Double				
	31"	49"	61"	73"			31"	49"	61"	73"	
SOUTHCROSS 2	#SC2-31-S	#SC2-49-S	#SC2-61-S	#SC3-73-S		#SC2-31-D	#SC2-49-D	#SC2-61-D	#SC2-73-D	ADD PER	
SOUTHCROSS 3	#SC3-31-S	#SC3-49-S	#SC3-61-S	#SC3-73-S		#SC3-31-D	#SC3-49-D	#SC3-61-D	#SC3-73-D	LIN. FT.	
MANHATTAN	#MH2-31-S	#MH2-49-S	#MH2-61-S	#MH2-73-S		#MH2-31-D	#MH2-49-D	#MH2-61-D	#MH2-73-D		
COM/ Grade 2	\$1,038	\$1,308	\$1,438	\$1,606	\$327	\$1,614	\$2,094	\$2,304	\$2,494	\$524	
Grade 3	\$1,108	\$1,393	\$1,538	\$1,721	\$348	\$1,699	\$2,194	\$2,429	\$2,644	\$549	
Grade 4	\$1,178	\$1,478	\$1,638	\$1,836	\$370	\$1,784	\$2,294	\$2,554	\$2,794	\$574	
Grade 5	\$1,248	\$1,563	\$1,738	\$1,951	\$391	\$1,869	\$2,394	\$2,679	\$2,944	\$599	
Weight	145#	178#	206#	235#		185#	236#	278#	320#		

SOUTHCROSS 2, SOUTHCROSS 3 and MANHATTAN BOOTH SPECIFICATIONS AND OPTIONS

Southcross 2 free standing booth. 42" tall with choice of two 12" (shown) or one 24" back cushion.
 Manhattan free standing booth. 43" tall with choice of two 12" (shown) or one 24" back cushion.
 Southcross 3 free standing booth. 48" tall with solid wood wainscot back.
 Solid wood end caps, top cap and apron.
 Upholstered web seat is 20" deep.
 Upholstered back panel on single booth is standard.
 In-House stain selections are shown on page 4.
 Custom stain colors are available . . . add \$602 per order.

GLACIER



FREE STANDING 36" TALL
 SINGLE OR DOUBLE SOLID
 WOOD BOOTH. COMES
 STANDARD WITH REMOVABLE
 PADDED SEAT AND OPTIONAL
 BACK PAD.

CARTER



FREE STANDING 36" TALL
 SINGLE OR DOUBLE SOLID
 WOOD BOOTH. COMES
 STANDARD WITH REMOVABLE
 PADDED SEAT AND OPTIONAL
 BACK PAD.

GLACIER & CARTER BOOTH PRICING

	Single					ADD PER LIN. FT.	Double				
	30"	48"	60"	72"			30"	48"	60"	72"	
CARTER	#CAR-30-S	#CAR-48-S	#CAR-60-S	#CAR-72-S		#CAR-30-D	#CAR-48-D	#CAR-60-D	#CAR-72-D	ADD PER	
GLACIER	#GLA-30-S	#GLA-48-S	#GLA-60-S	#GLA-72-S		#GLA-30-D	#GLA-48-D	#GLA-60-D	#GLA-72-D	LIN. FT.	
COM/ Grade 2	\$794	\$990	\$1,103	\$1,218	\$248	\$1,208	\$1,458	\$1,683	\$1,863	\$365	
Grade 3	\$834	\$1,040	\$1,163	\$1,288	\$260	\$1,258	\$1,528	\$1,773	\$1,973	\$382	
Grade 4	\$874	\$1,090	\$1,223	\$1,358	\$273	\$1,308	\$1,598	\$1,863	\$2,083	\$400	
Grade 5	\$914	\$1,140	\$1,283	\$1,428	\$285	\$1,358	\$1,668	\$1,953	\$2,193	\$417	
Weight	82#	100#	112#	124#		148#	180#	202#	224#		

BRIARWOOD SERIES 1 BOOTH SEATING

BRIARWOOD SERIES 1 BOOTH SPECIFICATIONS AND OPTIONS



- Contoured seat using stock laminates
- Laminate endcaps (with vinyl edge), laminated top cap and back panel.
- OR Solid wood endcaps, top cap and apron with a plywood back panel.
- Choice of two 7" (shown) or one 14" back cushion.
- Custom stain colors are available . . . add \$602 per order.
- PermaGuard endcaps are available . . . call for pricing.
- Vertical channeling . . . add \$62 per seat back.
- For recommended booth opening dimensions . . . see page 38.
- Islander Frame Supports . . . see page 40.

BRIARWOOD SERIES 1 BOOTH PRICING

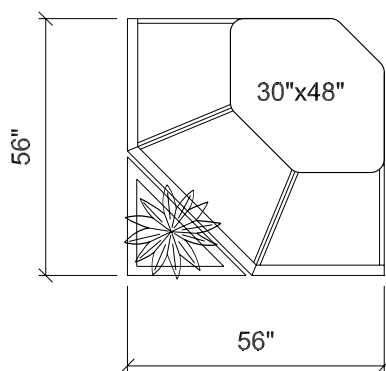
BRIARWOOD Series 1	Single				Double			
Seat Length	26"	44"	49"	61"	26"	44"	49"	61"
Part #	#BW1-26-S	#BW1-44-S	#BW1-49-S	#BW1-61-S	#BW1-26-D	#BW1-44-D	#BW1-49-D	#BW1-61-D
Wood Endcaps	\$704	\$842	\$888	\$968	\$1,111	\$1,363	\$1,469	\$1,708
Laminate Endcaps	\$735	\$873	\$919	\$999	\$1,173	\$1,425	\$1,531	\$1,770
Weight	45#	65#	75#	95#	85#	120#	140#	175#

BRIARWOOD Series 1	Additional Single Continuous Seating			Additional Double Continuous Seating		
Seat Length	up to 38"	up to 73"	up to 97"	up to 38"	up to 73"	up to 97"
Part #	#BW1-38-S	#BW1-73-S	#BW1-97-S	#BW1-38-D	#BW1-73-D	#BW1-97-D
Wood Endcaps	\$842	\$1,253	\$1,697	\$1,363	\$1,844	\$2,076
Laminate Endcaps	\$873	\$1,284	\$1,728	\$1,425	\$1,906	\$2,138
Weight	59#	212#	250#	105#	310#	378#

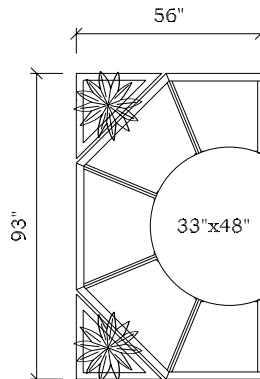
CARRIAGE SUPPORTS FOR BRIARWOOD 1 AND 2 CONTINUOUS SEATING (black sandtex powder coat)								
	SINGLE				DOUBLE			
Seat Length	up to 49"	up to 61"	up to 72"	up to 96"	up to 49"	up to 61"	up to 72"	up to 96"
Part #	#0556	#0556	#0556	#0556	#0557	#0557	#0557	#0557
	\$136 x 2	\$136 x 2	\$136 x 2	\$136 x 3	\$202 x 2	\$202 x 2	\$202 x 2	\$202 x 3
Shipping Weight	15# x 2	15# x 2	15# x 2	15# x 3	21# x 2	21# x 2	21# x 2	21# x 3

Maximum span between supports is 66"

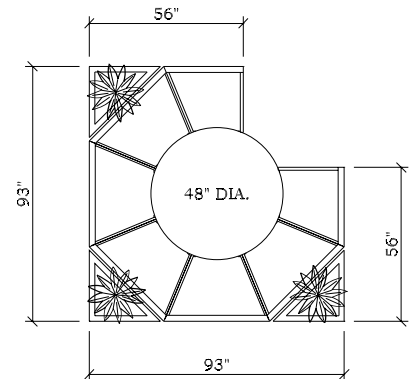
BRIARWOOD CORNER BOOTHS ... pricing on bottom of page 36



**BRIARWOOD Series 1
Quarter Corner Booth**
3-piece seat with vinyl edge
table top and support



**BRIARWOOD Series 1
Half Corner Booth**
5-piece seat with vinyl edge
table top and support



**BRIARWOOD Series 1
Three-Quarter Corner Booth**
7-piece seat with vinyl edge
table top and support

BRIARWOOD SERIES 2 BOOTH SEATING



BRIARWOOD SERIES 2 BOOTH SPECIFICATIONS AND OPTIONS

- Contoured seat using stock laminates.
- Laminate endcaps (with vinyl edge), laminated top cap and back panel.
- OR Solid wood endcaps, top cap and apron with a plywood back panel.
- Custom stain colors are available . . . add \$602 per order.
- PermaGuard endcaps are available . . . call for pricing.
- For recommended booth opening dimensions . . . see page 38.

SUPPORT SPECIFICATIONS AND OPTIONS

- Black Sandtex powder coat.
- Other paint colors are available (see page 4) . . . add \$697 per order.
- Islander Frame Supports . . . see page 40.

BRIARWOOD SERIES 2 BOOTH PRICING

BRIARWOOD Series 2	Single				Double			
	26"	44"	49"	61"	26"	44"	49"	61"
Seat Length	26"	44"	49"	61"	26"	44"	49"	61"
Part #	#BW2-26-S	#BW2-44-S	#BW2-49-S	#BW2-61-S	#BW2-26-D	#BW2-44-D	#BW2-49-D	#BW2-61-D
Wood Endcaps	\$614	\$728	\$767	\$832	\$906	\$1,150	\$1,250	\$1,478
Laminate Endcaps	\$645	\$759	\$798	\$863	\$968	\$1,212	\$1,312	\$1,540
Weight	45#	65#	75#	95#	85#	120#	135#	175#

BRIARWOOD Series 2	Additional Single Continuous Seating			Additional Double Continuous Seating		
	up to 38"	up to 73"	up to 97"	up to 38"	up to 73"	up to 97"
Part #	#BW2-38-S	#BW2-73-S	#BW2-97-S	#BW2-38-D	#BW2-73-D	#BW2-97-D
Wood Endcaps	\$728	\$988	\$1,468	\$1,150	\$1,708	\$1,931
Laminate Endcaps	\$759	\$1,019	\$1,499	\$1,212	\$1,770	\$1,993
Weight	59#	212#	250#	105#	310#	378#

BRIARWOOD CORNER BOOTH TABLE TOP OPTIONS AND PRICING ... layouts on page 35.

TABLE TOP OPTIONS	Price per booth with VINYL EDGE top	SELF EDGE top	METAL PERIMETER top	1" WOOD EDGE top	1.5" WOOD PERIMETER top	Weight
		#SE-01	#MP-01	#WE-10	#WP-15	
BOOTH STYLES		add	add	add	add	
Quarter Corner #BW1-14-FS	\$4,217	same	\$246	\$270	\$552	290#
Half Corner #BW1-12-FS	\$7,022	same	\$246	\$270	\$552	510#
Three-Quarter Corner #BW1-34-FS	\$9,718	same	\$246	\$270	\$552	725#

CONTOUR SLAT & CONTOUR MOLD BOOTH SEATING



CONTOUR SLAT				
Seat Length	24"	42"	47"	59"
Part #	#CS-24	#CS-42	#CS-47	#CS-59
	\$364	\$522	\$597	\$675
Weight	22#	39#	44#	55#

CONTOUR SLAT SPECIFICATIONS AND OPTIONS

- Solid oak slats.
- Standard stain colors are listed on page 4.
- CUSTOM STAIN available . . . add \$602 per order.
- Islander Frame Supports . . . see page 41.

ADDITIONAL CONTOUR SLAT CONTINUOUS SEATING		
Seat Length	up to 71"	up to 95"
Part #	#CS-71	#CS-95
	\$890	\$1,088
Weight	call for shipping weights	



CONTOUR MOLD					
Seat Length	16"	24"	42"	47"	59"
Part #	#CM-1658	#CM-2458	#CM-4258	#CM-4758	#CM-5958
5/8" Thick Laminate Seat	\$161	\$185	\$248	\$273	\$333
Add for Back Cushion	N/A	\$75	\$105	\$118	\$140
Weight	16#	24#	42#	47#	59#

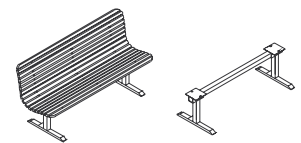
For recommended minimum booth opening dimensions see page 38.

ADDITIONAL CONTOUR MOLD CONTINUOUS SEATING (5/8" thick)				
Seat Length	up to 71"	up to 95"	up to 119"	up to 143"
Part #	#CM-7158	#CM-9558	#CM-11958	#CM-14358
5/8" Thick Laminate Seat	\$458	\$595	\$739	\$851
Add for Back Cushion	\$196	\$246	\$318	\$371
Weight	call for shipping weights			

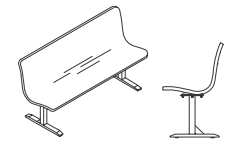
SUPPORT SPECIFICATIONS AND OPTIONS

- Black Sandtex powder coat.
- Other paint colors are available (see page 4) . . . add \$697 per order.
- Adjustable Islander Supports are shown on page 41.

RANGER SUPPORTS FOR CONTINUOUS SEATING (black sandtex powder coat)				
Seat Length	up to 47"	up to 59"	up to 71"	up to 95"
Part #	#0607-44	#0607-56	#0607-68	#0607-92
(maximum span between supports is 66")	\$193	\$207	\$229	\$321
Individual Shipping Weight	26#	33#	40#	51#



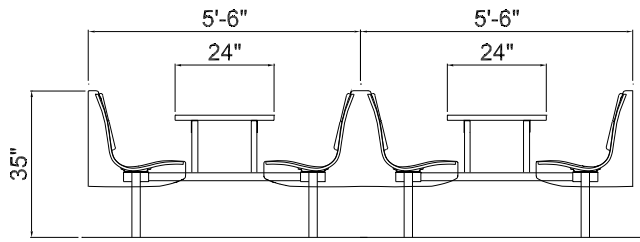
ranger supports



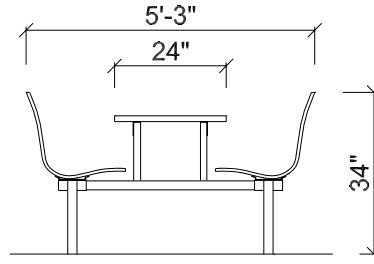
settee supports

Settee SUPPORTS FOR CONTINUOUS SEATING (black sandtex powder coat)						
Seat Length	up to 47"	up to 59"	up to 71"	up to 95"	up to 119"	up to 143"
Part #	#0199	#0199	#0199	#0199	#0199	#0199
(maximum span between supports is 66")	\$113 x 2	\$113 x 2	\$113 x 2	\$113 x 3	\$113 x 3	\$113 x 4
Shipping Weight	10# x 2	10# x 2	10# x 2	10# x 3	10# x 3	10# x 4

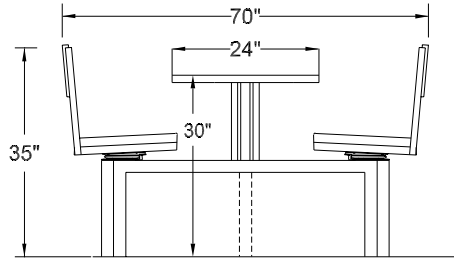
RECOMMENDED MINIMUM BOOTH OPENINGS



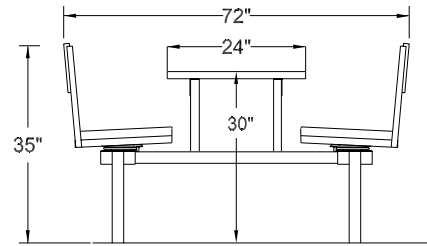
BRIARWOOD
RECOMMENDED MINIMUM BOOTH OPENING



CONTOURMOLD & CONTOURSLAT
RECOMMENDED MINIMUM BOOTH OPENING



CHAIR SEATS ON CASCADE SUPPORTS
RECOMMENDED MINIMUM BOOTH OPENING



CHAIR SEATS ON ISLANDER SUPPORTS
RECOMMENDED MINIMUM BOOTH OPENING

CONTOUR MOLD SPECIFICATIONS AND OPTIONS

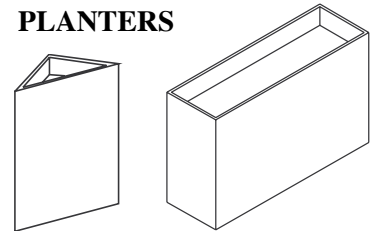
- Contoured seat using stock laminates.
- Seat edge is brown (natural core color).
- Black seat edges . . . add \$18 per seat.
- 5/8" thick seat with 2" radius corners - standard with laminate on seat front and back.
- 7/8" thick seat with 2" radius corners standard with laminate on seat front and back . . . add 25%.
- Seat bumpers - (factory or field attached to prevent seat backs from contacting.) One bumper per seat . . . add \$13.

PLANTER AND FILLER MODULES

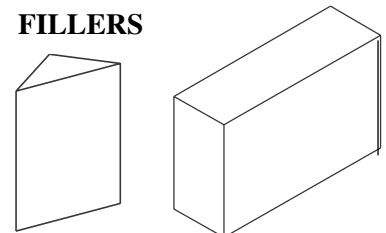
PLANTER & FILLER MODULES are optional.

		Length	Width	Height	Weight
PLANTERS with 6" deep sealed liner					
#TP-2727	\$1,142	27"	27"	35"	120#
#RP-4824	\$1,292	56"	18"	35"	151#
#RP-6036	\$1,349	60"	18"	35"	156#
taller module (add per lineal foot)	\$160				
FILLERS					
#TF-2727	\$946	27"	27"	35"	120#
#RF-4824	\$1,083	56"	18"	35"	151#
#RF-6036	\$1,142	60"	18"	35"	156#
taller module (add per lineal foot)	\$160				

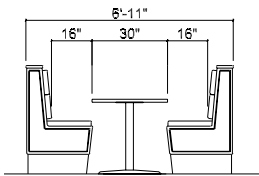
PLANTERS



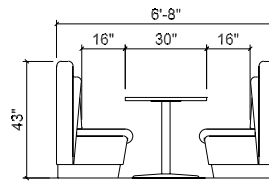
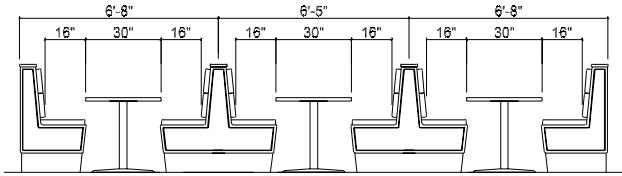
FILLERS



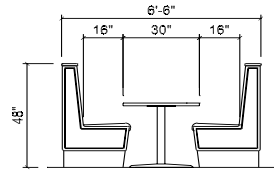
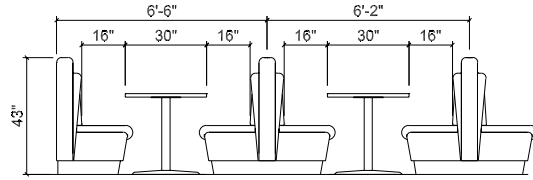
RECOMMENDED MINIMUM BOOTH OPENINGS



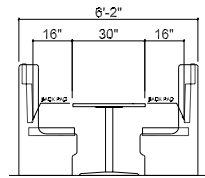
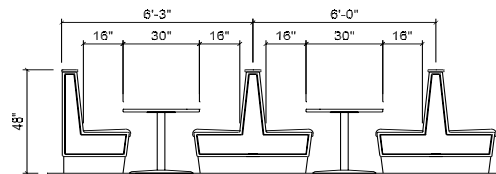
SOUTHCROSS 2
RECOMMENDED MINIMUM
BOOTH OPENING



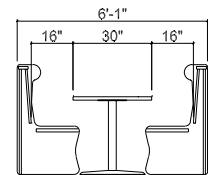
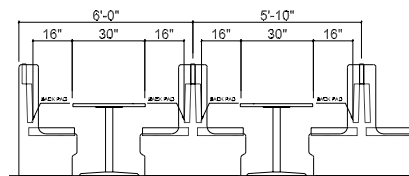
MANHATTAN 2
RECOMMENDED MINIMUM
BOOTH OPENING



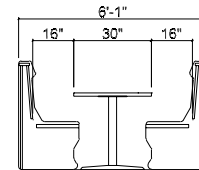
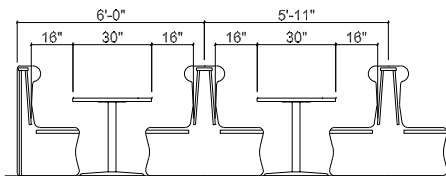
SOUTHCROSS 3
RECOMMENDED MINIMUM
BOOTH OPENING



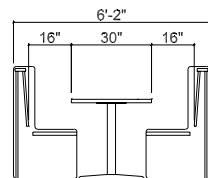
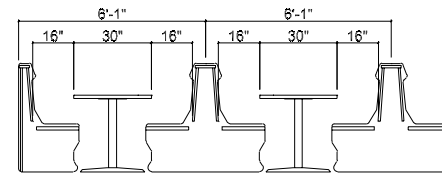
CAMDEN
RECOMMENDED MINIMUM
BOOTH OPENING



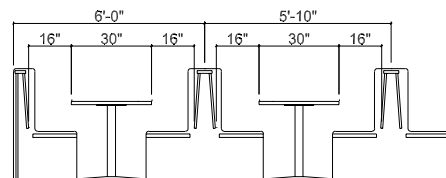
WOODCREST 1
RECOMMENDED MINIMUM
BOOTH OPENING



WOODCREST 3
RECOMMENDED MINIMUM
BOOTH OPENING

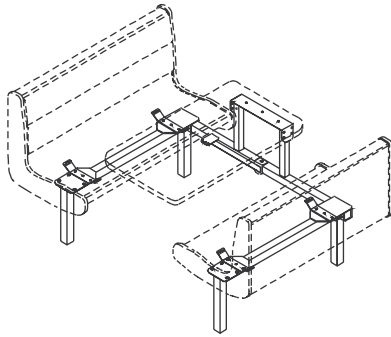


WOODCREST 2
RECOMMENDED MINIMUM
BOOTH OPENING



Booth openings can vary depending on layout configuration. If using tables larger than specified on the drawings shown, call Waymar's Layout & Design Department for more information.

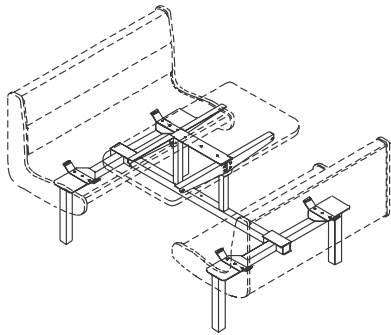
ADJUSTABLE ISLANDER SUPPORTS FOR BRIARWOOD BOOTH SEATING



WALL UNITS - FRAME ONLY (enter from one side)				
For Seat Length	Part #	Black Support	Shipping Weight	For Table Size
26" seat	#0732	\$317	67#	24" x 24"
44" seat	#0731	\$346	78#	24" x 42"
49" seat	#0731	\$346	78#	24" x 47"
61" seat	#0735	\$437	88#	24" x 59"

FOR EACH WALL ADJUSTABLE SUPPORT CHOOSE:

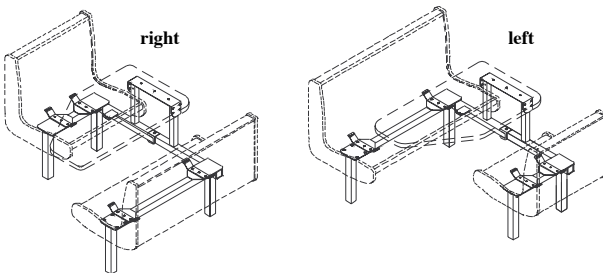
- One table top (see pages 20-22).
- One single or double seat for each side of the frame (double seat is used for creating a row of booths)



CENTER FRAME UNITS - FRAME ONLY (enter from two sides)				
For Seat Length	Part #	Black Support	Shipping Weight	For Table Size
44" seat	#0733	\$347	82#	24" x 42"
49" seat	#0733	\$347	82#	24" x 47"

FOR EACH CENTER ADJUSTABLE SUPPORT CHOOSE:

- One table top (see pages 20-22).
- One single or double seat for each side of the frame (double seat is used for creating a row of booths)



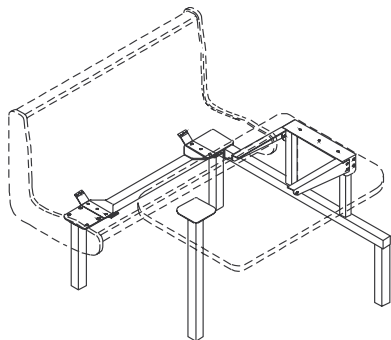
3/4 UNITS - FRAME ONLY (right or left)				
For Seat Length	Part #	Black Support	Shipping Weight	For Table Size
26" seat	#0737	\$347	73#	24" x 42"
44" seat	plus corner cut charge			
44" seat	#0736	\$437	85#	24" x 59"
61" seat	plus corner cut charge			

(one of each on opposite sides of the frame - specify right or left unit)

(one of each on opposite sides of the frame - specify right or left unit)

FOR EACH 3/4 ADJUSTABLE SUPPORT CHOOSE:

- One table top with corner cut (see pages 20-22). Correspond corner cut to seat length.
- One single or double seat for each side of the frame (double seat is used for creating a row of booths)



ADA UNIT - FRAME ONLY (wheelchair accessible)				
For Seat Length	Part #	Black Support	Shipping Weight	For Table Size
44" seat	#0731H	\$532	55#	30" x 42"

FOR EACH ADA ADJUSTABLE SUPPORT CHOOSE:

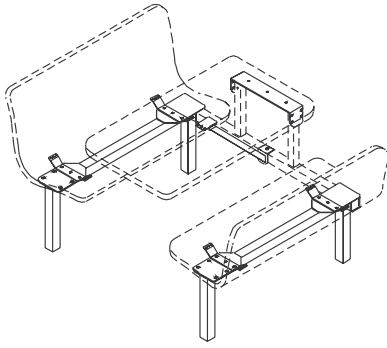
- One table top (see pages 20-22).
- One single or double seat for each side of the frame (double seat is used for creating a row of booths)
- Accommodates one wheelchair or two side chairs.
- Must be floor fastened.

ADJUSTABLE SUPPORT SPECIFICATIONS AND OPTIONS

- Standard booth opening is 5'6" but adjusts from 5'3" to 5'9".
- Wider support adjusts from 5'9" to 6'3" . . . add \$21 per support.
- Leveling glide with floor anchor cap.
- Black sandtex powder coated. Other metal paint finishes . . . add \$697 per order.

For **RECOMMENDED MINIMUM BOOTH OPENINGS**, see page 38.

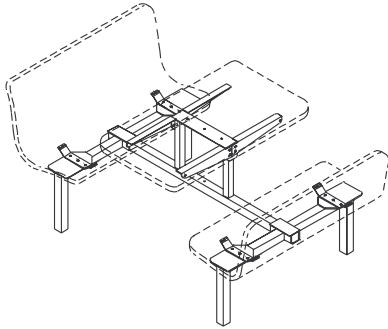
ISLANDER SUPPORTS FOR CONTOURSLAT & CONTOURMOLD BOOTH SEATING



WALL UNITS - FRAME ONLY (enter from one side)				
For Seat Length	Part #	Black Support	Shipping Weight	For Table Size
24" seat	#0732	\$317	67#	24" x 24"
42" seat	#0731	\$346	78#	24" x 42"
47" seat	#0731	\$346	78#	24" x 47"
59" seat	#0735	\$437	88#	24" x 59"

FOR EACH WALL ADJUSTABLE SUPPORT CHOOSE:

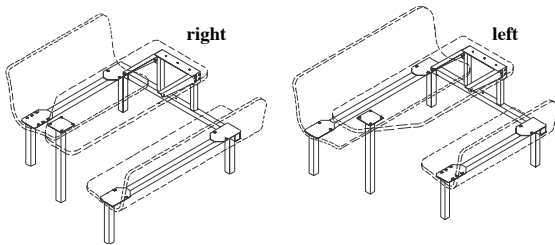
- One table top (see pages 20-22).
- One seat for each side of the frame



CENTER FRAME UNITS - FRAME ONLY (enter from two sides)				
For Seat Length	Part #	Black Support	Shipping Weight	For Table Size
16" (4 seats)	#0733	\$347	82#	24" x 24"
42" seat	#0733	\$347	82#	24" x 42"
47" seat	#0733	\$347	82#	24" x 47"

FOR EACH CENTER ADJUSTABLE SUPPORT CHOOSE:

- One table top (see pages 20-22).
- One for seat each side of the frame



3/4 UNITS - FRAME ONLY (right or left)				
For Seat Length	Part #	Black Support	Shipping Weight	For Table Size
26" seat	#0737	\$347	73#	24" x 42"
42" seat	plus corner cut charge			

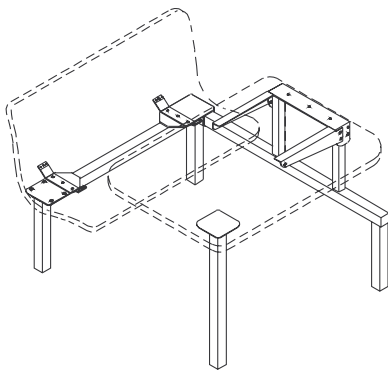
(one each on opposite sides of the frame - specify right or left unit)

42" seat	#0736	\$437	85#	24" x 59"
59" seat	plus corner cut charge			

(one each on opposite sides of the frame - specify right or left unit)

FOR EACH 3/4 ADJUSTABLE SUPPORT CHOOSE:

- One table top with corner cut (see pages 20-22). Correspond corner cut to seat length.
- One seat for each side of the frame



ADA UNIT - FRAME ONLY (wheelchair accessible)				
For Seat Length	Part #	Black Support	Shipping Weight	For Table Size
42" seat	#0731H	\$532	55#	30" x 42"

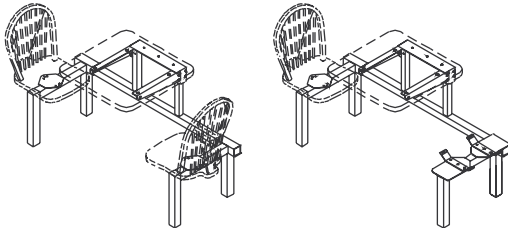
FOR EACH ADA ADJUSTABLE SUPPORT CHOOSE:

- One table top (see pages 20-22).
- One seat for the frame.
- Accommodates one wheelchair or two side chairs.
- Must be floor fastened.

ADJUSTABLE SUPPORT SPECIFICATIONS AND OPTIONS

- Standard booth opening is 5'3" but adjusts from 5'0" to 5'6".
- Wider support adjusts from 5'6" to 6'0" . . . add \$21 per support.
- Leveling glide with floor anchor cap.
- Black sandtex powder coated. Other metal paint finishes . . . add \$697 per order.

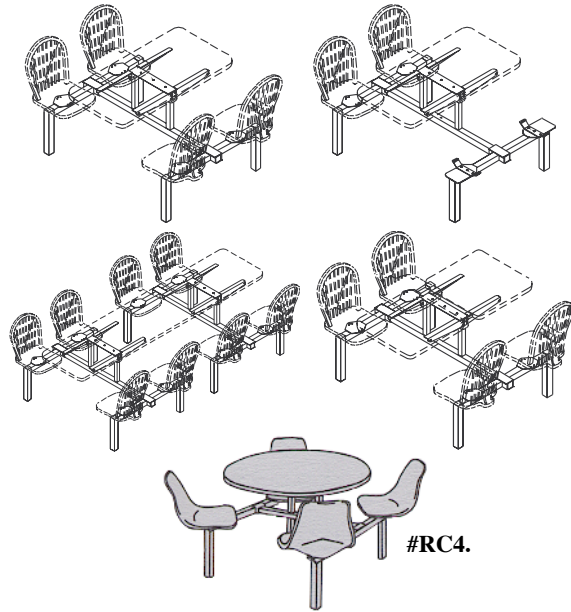
ADJUSTABLE ISLANDER SUPPORTS FOR CLUSTER SEATING



WALL UNITS - FRAME ONLY (enter from one side)				
For # of Chairs	Part #	Black Support	Shipping Weight	For Table Size
2 Chairs	#0732C	\$317	67#	24" x 24"
1 Chair/1 Side continuous seat opposite side	#0732RL	\$317	67#	24" x 24"

FOR EACH WALL ADJUSTABLE SUPPORT CHOOSE:

- One table top (see pages 20-22).
- Choose two chair seats from page 17 or one chair seat and opposing continuous seat from page 37.

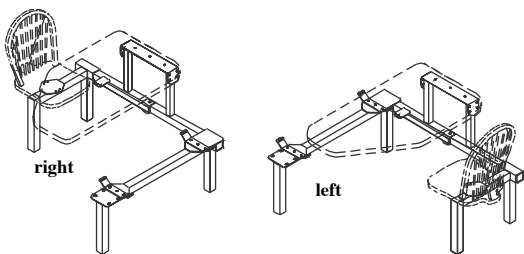


CENTER UNITS - FRAME ONLY (enter from two sides)				
For # of Chairs	Part #	Black Support	Shipping Weight	For Table Size
4 Chairs	#0733C	\$347	82#	24" x 47"
2 Chairs/1 Side continuous seat opposite side	#0733RL	\$347	82#	24" x 47"
4 Chairs	#0733C	\$347	82#	(2) 24" x 24" split top
4 Chairs	#RC4	\$420	95#	40" Diameter 42" Diameter 36" x 36"
8 Chairs	#2-0733C	\$692	164#	24" x 106" *

* add 10% to selected 24" x 96" table top.

FOR EACH CENTER ADJUSTABLE SUPPORT CHOOSE:

- One table top (see pages 20-22). Four chairs with split top requires two tops.
- Choose four or eight chair seats from page 17 or two chair seats and opposing continuous seat from pages 37.



3/4 UNITS - FRAME ONLY (right or left)				
For # of Chairs	Part #	Black Support	Shipping Weight	For Table Size
1 Chair/1 Side continuous seat opposite side (specify left or right unit)	#0737RL	\$347	73#	24" x 48" plus corner cut charge

FOR EACH 3/4 ADJUSTABLE SUPPORT CHOOSE:

- One table top with corner cut (see pages 20-22). Correspond corner cut to continuous seat length.
- Choose one chair seat from page 17 and opposing continuous seat from pages 37.

ADJUSTABLE SUPPORT SPECIFICATIONS AND OPTIONS

- Wider support adjusts from 5'6" to 6'0" (use 30" wide table tops) . . . add \$21 per support.
- Leveling glide with floor anchor cap.
- Black sandtex powder coated.
- Other metal paint finishes . . . add \$697 per order.

FOR RECOMMENDED MINIMUM BOOTH OPENINGS see page 38

CASCADE SUPPORTS

WALL FASTENED (WF) OR WALL POSITIONED (WP) UNITS -- FRAME ONLY



#CA-2-WF

#CA-4-WF
or
#CA-4-WP

#CA-6-WF
or
#CA-6-WP

#CA-8-WF
or
#CA-8-WP

FREE STANDING (FS) UNITS -- FRAME ONLY



#CA-4-FS

#CA-6-FS

#CA-8-FS

CASCADE SUPPORTS - FRAME ONLY				
For Wall Fastened or Wall Positioned units				
For # of Chairs	Part #	Black Support	Shipping Weight	For Table Size
2 chairs	#CA-2-WF	\$218	25#	24" x 24"
4 chairs	#CA-4-WF	\$438	55#	24" x 48"
4 chairs	#CA-4-WP	\$438	60#	24" x 48"
6 chairs	#CA-6-WF	\$655	85#	24" x 76" **
6 chairs	#CA-6-WP	\$655	90#	24" x 76" **
8 chairs	#CA-8-WF	\$873	115#	24" X 102" *
8 chairs	#CA-8-WP	\$873	120#	24" X 102" *

FOR EACH WF or WP CASCADE SUPPORT CHOOSE:

- One table top (see pages 20-22).
- 2, 4, 6 or 8 chair seats from page 17.

For RECOMMENDED MINIMUM BOOTH OPENINGS, see page 38

CASCADE SUPPORTS - FRAME ONLY				
For Free Standing units				
For # of Chairs	Part #	Black Support	Shipping Weight	For Table Size
4 chairs	#CA-4-FS	\$438	50#	24" x 46" **
6 chairs	#CA-6-FS	\$655	80#	24" x 72"
8 chairs	#CA-8-FS	\$873	110#	24" x 96"

FOR EACH FS CASCADE SUPPORT CHOOSE:

- One table top (see pages 20-22).
- 4, 6 or 8 chair seats from page 17.

* add 10% to selected 24" x 96" table tops
 ** use intermediate size table top pricing rules as a guideline

CASCADE SUPPORT SPECIFICATIONS AND OPTIONS

- Larger support (for 27" wide table) . . . add \$21 per two chair support.
- Leveling glide with floor anchor cap.
- Black sandtex powder coated. Other metal paint finishes . . . add \$697 per order.

TRASH, SERVICE, & CONDIMENT MODULES

TRASH MODULES



ENCLOSED BOTTOM

- Decorative laminate exterior. White interior.
- Magnetic door catch.
- 35 gallon rigid waste liner and leveling glides are included.
- Wood edge cabinet comes with wood edge top and face and has wood tray stops.
- Self edge cabinet comes with self edge top and has plastic tray stops.
- Self edge cabinet is also available with vinyl perimeter top.
- Available with casters . . . add \$115
- Customized with 22" x 22.5" x 45" rolling liner . . . add \$191

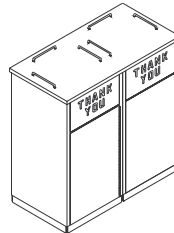
#SM-T Single Trash Module



22" x 22" x 45"

#DM-T Double Trash Module

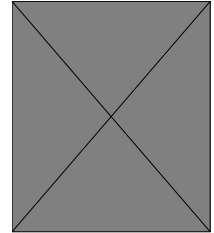
with common top



22" x 43" x 45"

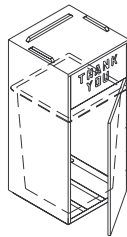
#TM-T Triple Trash Module

with common top



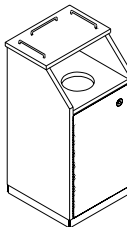
22" x 65" x 45"

TRASH CONTAINERS



#STC-OB Single Trash Container

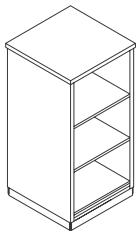
- Decorative laminate exterior. White interior.
- 3/4" x 3/4" wood tray stops.
- Wood edge faced frame.
- Open bottom grid is powder coated in black sandtex.
- Also available with a closed bottom (#STC-CB).
- 10" high gravity return swing door.
- Magnetic door catch.
- 35 gallon rigid waste liner and leveling glides are included.
- Available with casters (open bottom only) . . . add \$115



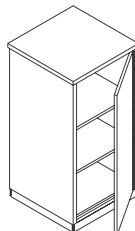
#CTM Single Trash Container with drop hole

- Decorative laminate exterior. White interior.
- Drop hole is 8" in diameter.
- Magnetic door catch.
- 35 gallon rigid waste liner and leveling glides are included.
- Wood edge cabinet has wood tray stops.
- Self edge cabinet has plastic tray stops.
- Self edge cabinet is also available with vinyl perimeter top.
- Available with casters . . . add \$115
- Customized with 22" x 22.5" x 45" rolling liner . . . add \$191

SHELF STORAGE MODULES



#SM-S

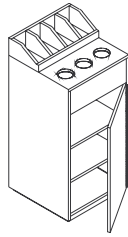


#SM-D

- Decorative laminate exterior.
- White interior.
- Self edge cabinet available with self or vinyl edge tops.
- Common top for multiple modules may be specified.
- Two adjustable interior shelves are laminated on all exposed surfaces.
- Additional shelves . . . \$80 each.
- Black or wood recessed pull with magnetic catch (door module only).
- Leveling glides are included.

TRASH, SERVICE, & CONDIMENT MODULES

CONDIMENT MODULES



#SCM Single
Condiment
Module

20.25" x 20.25" x 43"

- Decorative laminate exterior.
- White interior.
- Adjustable interior shelves are laminated on all exposed surfaces.
- Wood edge faced frame.
- "CONDIMENTS" routed in black lettering.
- Drop in holes are 4 1/8" standard diameter. Custom sizing available.
- Access door has continuous hinge and magnetic catch.
- Open bottom grid is powder coated in black sandtex.
- Leveling glides are included.
- Available with casters . . . add \$115.
- Unit is 38" tall without condiment module.

	SELF EDGE	WOOD EDGE	DEPTH	WIDTH	HEIGHT	WEIGHT
#SM-T	\$1,105	\$1,152	22"	22"	45"	135#
#DM-T	\$2,200	\$2,294	22"	43"	45"	270#
#TM-T	\$3,286	\$3,429	22"	65"	45"	405#
#SM-S	\$1,040	\$1,071	22"	22"	45"	135#
#SM-D	\$1,065	\$1,096	22"	22"	45"	135#
#STC-OB	\$1,014	\$1,014	20 1/4"	20 1/4"	43"	125#
#STC-CB	\$1,014	\$1,014	20 1/4"	20 1/4"	43"	125#
#SCM	\$1,006	\$1,006	20 1/4"	20 1/4"	43" *	125#
#SCM-CD	\$1,317	\$1,317	20 1/4"	20 1/4"	43"	130#
CTM	\$1,213	\$1,262	22"	22"	45"	155#

* SCM overall height without condiment divider is 38"

Specify door lettering on all models (Thank You, Gracias, Mahalo, Merci, Push, Danke, Thanks, Trash, or Universal Symbol).

Specify lettering colors (Black, Brown, White)

Call factory for custom design availability . . . add \$200.

CHECKLIST FOR TRASH, SERVICE & CONDIMENT MODULES

TRASH MODULE CHECKLIST

single, double, or triple _____
 self edge or wood edge cabinet _____
 self edge or vinyl edge top _____
 laminate _____
 wood finish (p.4) _____
 swing door lettering _____
 lettering colors _____
 casters _____
 additional waste liners _____

TRASH UNIT CHECKLIST (with drop hole)

self edge or wood edge _____
 laminate _____
 wood finish (p.4) _____
 additional waste liners _____

TRASH CONTAINER/CONDIMENT MODULE CHECKLIST

self edge or wood edge _____
 laminate _____
 wood finish (p.4) _____
 swing door lettering _____
 lettering colors _____
 casters _____
 additional waste liners _____

SHELF STORAGE MODULE CHECKLIST

self edge or wood edge _____
 laminate _____
 wood finish _____
 additional shelves _____

YOUR FREIGHT OPTIONS ARE AS FOLLOWS . . .

1. The WAYMAR PREFERRED FREIGHT PROGRAM

Because of our large volume of outbound freight, Waymar has been able to negotiate outstanding freight programs with our primary freight carriers.

- Freight All Kinds (FAK) class rating of 85 on all freight = deeply discounted rates.
- Freight quotes confirmed for 60 days when your quotation is requested or your order is received.
- With credit approval, your Waymar Preferred Freight charges will be prepaid then added to your invoice, guaranteeing discounts, combining product and freight into one invoice, and adding days to your freight payment terms.
- Waymar schedules pick-ups and shipments according to our manufacturing schedule and your delivery needs.

Please ask for your Waymar Preferred Freight Rate when requesting a quotation or placing an order.

(All quoted rates exclude accessory charges such as inside delivery, lift gate, reconsignments etc. unless requested.)

2. COLLECT SHIPMENTS

Collect shipments via your specified carrier are also an option if you so desire or fail to meet the credit approval requirements for the Preferred Freight Program. Provided your carrier services our facility, we will make arrangements for pickup but cannot guarantee the rate you will receive.

3. WILL CALL PICK-UPS

Pick-ups may also be made at Waymar Industries. You will be notified when your shipment is available. We request that the order be picked up promptly following its availability.

PRECEDENCE OF DISCOUNT RULES

Allows freight carriers to bill collect shipments at the lesser of negotiated discounts (shipper & receiver). For example, if you receive a freight quote from Waymar, but choose to have the freight sent collect, the carrier has a right to bill your freight using your negotiated discount and standard freight classifications, invalidating Waymar's Freight All Kinds (FAK) Class 85 classification.

Only by having the freight bill prepaid and added to your invoice are you assured of receiving Waymar's maximum negotiated discount and FAK 85 classification. Call Waymar's customer support department to request your Waymar Preferred Freight quotation.

CUSTOMER SUPPORT

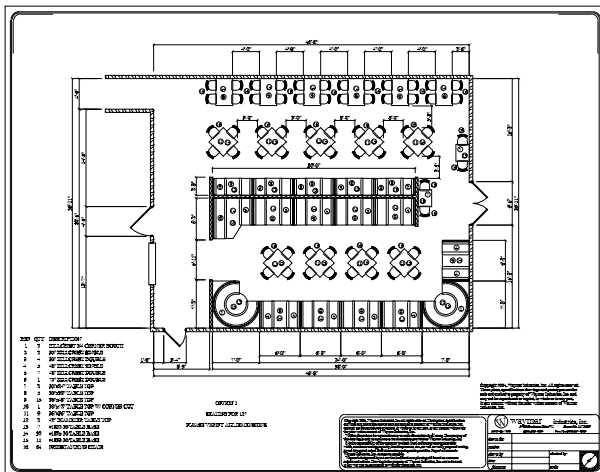
Call from 8 a.m. - 5 p.m. (CST), send us a fax (24 hours a day) or go to www.waymar.com for customer support or factory representative contact information.

952.435.7100 • 800.328.4299

952.435.2900 fax • 800.367.1366 fax

Or visit us at AutoQuotes • www.aqnet.com

customer support & CAD (Computer Aided Design)



LAYOUT

Waymar's professional staff will reproduce your drawing or sketch into an accurate computer printed layout for formal presentation and quotation.

Mail or e-mail your request for assistance.

DESIGN

Further design assistance is available. Waymar will propose ideas in seating layout, accessories and color schemes. Just provide dimensions, desired capacity and any other customer criteria and **WAYMAR WILL DO THE REST.**

TERMS AND CONDITIONS OF SALE

TERMS: Net 30 days for accounts with established and well maintained credit. Mastercard and Visa accepted.

FREIGHT: Freight is "prepaid and added" to invoices and utilizes Waymar's preferred freight carriers on all open credit accounts unless otherwise specified on customer's purchase order.

PRICES: All prices are subject to change without notice. All prices shown are list prices in US dollars. All prices are F.O.B. factory.

MINIMUM ORDERS: Orders of less than \$1000 list may be subject to a \$250 set-up fee.

PHONE ORDERS: Waymar does not accept verbal orders or orders over the phone.

MATCHING ORDERS: If your order is to match a previous shipment, this must be clearly stated on the purchase order and must include Waymar's original invoice number and shipment date. Occasionally, materials used on previous shipments may no longer be available. If matching is impossible due to material availability, the customer will be notified.

DESIGN CHANGES: Waymar reserves the right to continually improve our product. These design changes may result in some deviation from printed materials or previous shipments. These design changes are not cause for cancellation and do not relieve the customer of responsibility of payment.

ACKNOWLEDGEMENTS: All orders are acknowledged once they have been assigned a tentative ship date. Failure to ship on time due to lack of material availability does not relieve the customer of the responsibility of payment, nor does it create any additional liability for Waymar due to loss of business, etc. The customer is responsible for discrepancies between purchase orders and acknowledgements. **ORDERS ARE NOT SCHEDULED NOR ENTERED INTO PRODUCTION UNTIL COMPLETE INFORMATION HAS BEEN RECEIVED AND PAYMENT TERMS ARE ESTABLISHED.**

ORDERS FROM CUSTOMERS THAT HAVE NO PREVIOUS CREDIT HISTORY WITH WAYMAR WILL REQUIRE A DEPOSIT BEFORE THEY ARE ENTERED INTO PRODUCTION.

Storage Fees: Completed orders that have a delay at the customer's request of seven days or more may be subject to storage fees up to 10% of order total per week.

FREIGHT CLAIMS: All shipments should be carefully inspected and counted with any damage being noted on the delivery receipt. The customer is responsible for contacting the carrier upon discovery of any damage or shortage. Waymar has no responsibility regarding concealed damage.

RETURNS: Waymar products are custom made and not subject to return.

CANCELLATION: Waymar products are custom made and not subject to cancellation. In some cases, the customer will be liable for materials and work in progress.

WARRANTY INFORMATION

All statements, technical information and recommendations contained herein are based on information we believe to be reliable, but the accuracy or completeness thereof is not guaranteed, and the following limited warranty is given in lieu of all other warranties, expressed or implied, including the warranties of merchantability and fitness for a particular purpose.

Waymar Industries, Inc. warrants that all of its products and their components shall be free of defects in material and workmanship for 12 months after the date of purchase unless otherwise noted in this price list. If any product is found to be defective in material or workmanship during the first 12 months after purchase and if the product or component has been properly installed and maintained by the purchaser, Waymar and J.H. Carr will, at its option, replace or repair the product or component without charge. This warranty does not apply to modified products or components or to those damaged by accident, abuse, neglect, or misuse. C.O.M. vinyls and fabrics carry no warranty from Waymar or J.H. Carr. Strict adherence to care, maintenance and repair schedule as outlined by Waymar and J.H. Carr are required to maintain warranty status. The extent of Waymar's and J.H. Carr's liability is limited to the purchase price of the products sold. In no event shall Waymar or J.H. Carr be liable for injury, loss or damage, whether direct, consequential or incidental, to persons or property arising out of the purchaser's use, or of any inability to use said products. Waymar and J.H. Carr do not assume labor charges for unauthorized repair.

EXTENDED WARRANTY

Waymar and J.H. Carr are pleased to provide extended warranty protection on all products. For an additional 3% of the net purchase price of a product, Waymar and J.H. Carr will double all warranties as defined in the pages of this price list. For example, for 3% of the purchase price of a wood chair, protection can be purchased extending the structural warranty from 3 to 6 years. The same purchase on a metal chair would extend the structural warranty from 5 to 10 years.



2010 Price List | Waymar Companies
Waymar | 14400 Southcross Dr. | Burnsville, MN 55306
JH Carr & Sons | 8311 South 200th St. | Kent, WA 98032
www.waymar.com | www.jhcarr.com